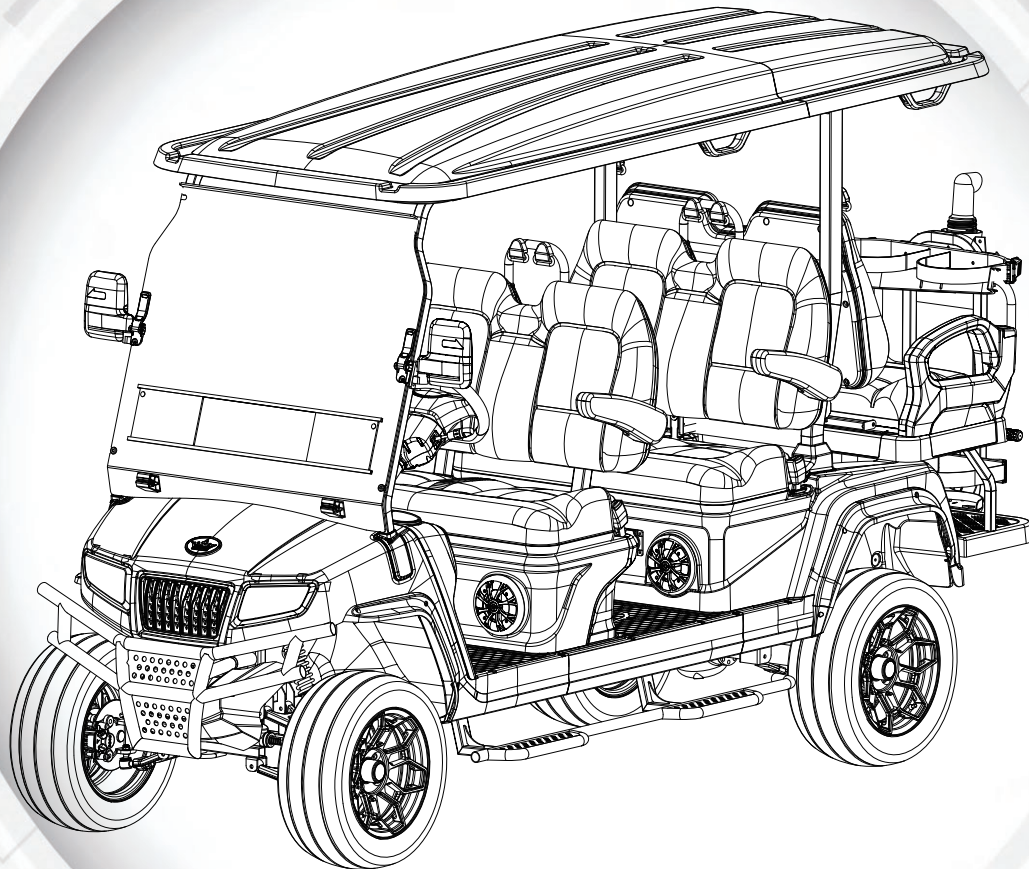




# User's Manual Of **D5 4+2 MODEL**

**V1.0**

Zero Emissions. Zero Hassles. Zero Compromises.



# THANK YOU!

Thank you for choosing this vehicle. This User's Manual provides information on everything you need to know for your operation with Evolution D5 models.

This Evolution's Manual contains important information that you will need for the proper operation and handling of your Evolution Vehicle.

Evolution is not liable for errors in this manual or for incidental or consequential damages that result from the use of the material in this manual. In order to insure all the information is correct, there may be changes to make according to improvements of the products at the time of printing, we reserve the rights to make corrections as well as product alterations and improvements at any time without notice. Trademarks are the property of Evolution Electric Vehicles, Inc. or their respective owners.

Read this user's manual before starting off in your new Evolution D5. It contains important information on the operation of your vehicle, entertainment ,storage and cooling systems that will help you make full use of the technical features they offer. Any updates made after the editorial deadline can be found in the appendix of the printed Owner's Manual for the vehicle. You can find supplementary information in the additional brochures in dealership show rooms .

Read all of this manual to become thoroughly familiar with this vehicle. Particularly important information is emphasized in this manual.  
The use of non Original Equipment Manufacturer (OEM) approved parts may void the warranty.  
Tampering with or adjusting the governor to permit vehicle to operate at above factory specifications will void the vehicle warranty.

# USER'S MANUAL LITHIUM-ION BATTERY POWERED VEHICLE

## D5 4+2

### STARTING MODEL YEAR 2024

1. The EVOLUTION Electric vehicles known in this manual as the "EVOLUTION".
  2. Unless otherwise stated, applicable low speed vehicle definitions and abbreviations are used throughout this document. Refer also to Golf Car Terminologies for additional definitions and abbreviations.
  3. Appendices form part of, and have the same status as, these regulations
  4. The editing practices used in this document are as follows:
    - (a) 'Shall' or 'Will' or 'Must' is used to indicate a mandatory requirement.
    - (b) 'Should' is used to indicate a recommendation.
  - © 'May' is used to indicate discretion by EVOLUTION, the industry or the applicant, as appropriate.
- Note: The use of the male gender implies all genders.
5. Paragraphs and sub-paragraphs with new, amended and corrected text will be enclosed within brackets until a subsequent "amendment" is issued.

#### TO CONTACT US

EVOLUTION ELECTRIC VEHICLES INC

California Headquarters: 15865 Quality Way, Chino, CA 91708 USA

Phone: +909-590-4922

Email: [warrantyregistration@evolutionelectricvehicle.com](mailto:warrantyregistration@evolutionelectricvehicle.com)

[evolutionelectricvehicle.com](http://evolutionelectricvehicle.com)

# TABLE OF CONTENTS

SAFETY INFORMATION .....	1
Important Safety Information.....	1
Vehicle Safety Labels.....	2
Battery Safety Information.....	5
Lithium-Ion Battery Recycling .....	6
VEHICLE SERIAL NUMBER LOCATION .....	7
Vehicle Serial & VIN Number.....	7
VEHICLE FEATURES.....	8
Vehicle Overview.....	8
Dashboard.....	8
Rear Part Of Vehicle.....	9
Control Switches And Pedals.....	10
OPERATION AND CONTROLS.....	12
Pre-Operation Safety And Performance Inspection .....	12
Start The Vehicle .....	15
Drive And Control .....	16
Turn Signals .....	17
Charging Ports.....	17
Lights Control .....	18
Adjusting the height of the steering column.....	19
Adding Brake Fluid .....	20
Rear View Mirror Folding .....	20
Golf Bag Holder .....	20
TOUCHSCREEN MANUAL .....	21
Touchscreen Overview.....	21
Bluetooth.....	21
Sound Bar.....	22
Radio.....	22
Phone.....	23
USB .....	24
LED .....	25
Carplay .....	26

# TABLE OF CONTENTS

Settings .....	27
Program Edit .....	29
Fault Code .....	30
<b>LITHIUM BATTERY.....</b>	<b>32</b>
<hr/>	
Lithium Battery Introduction .....	32
<b>BATTERY CHARGER.....</b>	<b>33</b>
<hr/>	
Charger User Manual.....	33
<b>WHEELS &amp; TIRES .....</b>	<b>36</b>
<hr/>	
<b>LIFT AND LOWER THE VEHICLE .....</b>	<b>39</b>
<hr/>	
<b>VEHICLE MAINTENANCE .....</b>	<b>40</b>
<hr/>	
Vehicle Scheduled Maintenance Chart.....	40
Maintenance Info .....	41
Vehicle Cleaning And Care .....	43
Vehicle Storage.....	44
Vehicle Transportation And Towing.....	45
<b>VEHICLE GENERAL SPECIFICATION.....</b>	<b>46</b>
<hr/>	
<b>MAINTENANCE LOG .....</b>	<b>47</b>

# SAFETY INFORMATION

## IMPORTANT SAFETY INFORMATION

Observe these NOTICES, CAUTIONS, WARNINGS and DANGERS; be aware that servicing a vehicle requires mechanical skill and a regard for conditions that could be hazardous. Improper service or repair may damage the vehicle or render it unsafe.






Replace missing, damaged or unreadable safety decals immediately to prevent possible property damage, personal injury, or death. Purchase replacement safety decals from your dealer or distributor.

Know and understand the laws and regulations for vehicle operations in your area. For any questions on material contained in this manual, contact an authorized representative for clarification.

The components of the Save LIVES package are:

Speed management, Leadership, Infrastructure design, Vehicle safety standards, Enforcement of traffic laws and Survival after a crash.

Safe vehicles play a critical role in averting crashes and reducing the likelihood of serious injury.

IMPORTANT SAFETY INFORMATION	
	The safety alert symbol is used to alert you for possible personal injury hazards. Obey all safety regulations that follow this symbol to prevent possible injuries or death.
	A DANGER label identifies hazardous situations which may cause death or serious injuries.
	A WARNING label identifies hazardous situations which may cause death or serious injuries.
	A CAUTION label identifies hazardous situations which may cause minor or moderate injuries.
	A NOTICE label identifies hazardous situations which may cause property damages.

# SAFETY INFORMATION

Read all the safety statements carefully before attempting any procedure.

**OPERATING INSTRUCTIONS**

- Read owner's manual and dash-mounted safety warnings prior to driving.
- Study and understand controls.

**TO OPERATE**

- Turn wheels to desired direction and ensure path is clear.
- Turn key to ON position.
- While stopped, place Forward/Reverse switch in desired position: D-Drive N-Neutral R-Reverse(Buzzer will sound)
- Press accelerator pedal to release parking brake.
- Slowly press accelerator pedal to increase speed.
- To stop, release accelerator pedal and press brake pedal.

**BEFORE LEAVING**

- Press parking brake pedal until it locks and holds vehicle.
- Place Forward/Reverse switch in NEUTRAL position.
- Turn key OFF and remove key when not in use.

**MOTOR BRAKING**

- Electric motor braking provides speed regulation functions.
- Apply brakes to control vehicle speed as required.
- System is activated only when switch is in the DRIVE position.
- When towing this vehicle, switch must be in the NEUTRAL position.

EEV 20210401001

OPERATING INSTRUCTIONS DECAL

**DANGER**

**PINCH POINTS**  
WATCH YOUR HANDS



PINCH POINTS WARNING DECAL

**WARNING**



Windshields do not provide protection from golf balls or other flying objects.

WINDSHIELD WARNING DECAL

**WARNING**



**DO NOT EXCEED MAXIMUM WEIGHT LIMIT**  
MAX 99 lbs  
45 kg

PINCH POINTS WARNING DECAL

**WARNING**

**ROLLOVER OR FALLING OFF MAY CAUSE SERIOUS INJURY OR DEATH.**

- Before using vehicle, read operating instructions.
- Do not start vehicle until all occupants are seated.
- Keep entire body inside vehicle while moving.
- Drive at a low, steady speed when taking turns or operating on inclines.
- Keep vehicle as straight as possible on inclines to avoid sliding or overturning.
- Use brakes to control speed when coasting downhill.
- Never operate under the influence of alcohol or drugs.
- For use by authorized persons in designated areas only.
- Remain seated while moving.
- Operate from driver side only.
- Never operate on public roads.
- Hold on to handle rail while moving.
- One (1) person per seat maximum.
- Never stand in front of or behind vehicle.
- Do not leave children unattended on vehicle.

EEV 20220110002

OPERATOR WARNING DECAL

**WARNING**



**HEAVY LIFT WITH CARE**

HEAVY WARNING DECAL

**WARNING**

**ROLLOVER OR FALLING OFF MAY CAUSE SERIOUS INJURY OR DEATH.**

- Seat Belts Must Be Worn in This Vehicle at All Times.
- Hold on to the Hand Rail.
- Keep Your Arms and Legs Inside the Ride Vehicle at All Times.
- Children Are Not Allowed to Sit Alone on the Back Seats.
- One (1) Person Per Seat Maximum.
- Remain Seated While Moving.
- Do Not Start Vehicle Until All Occupants Are Seated.

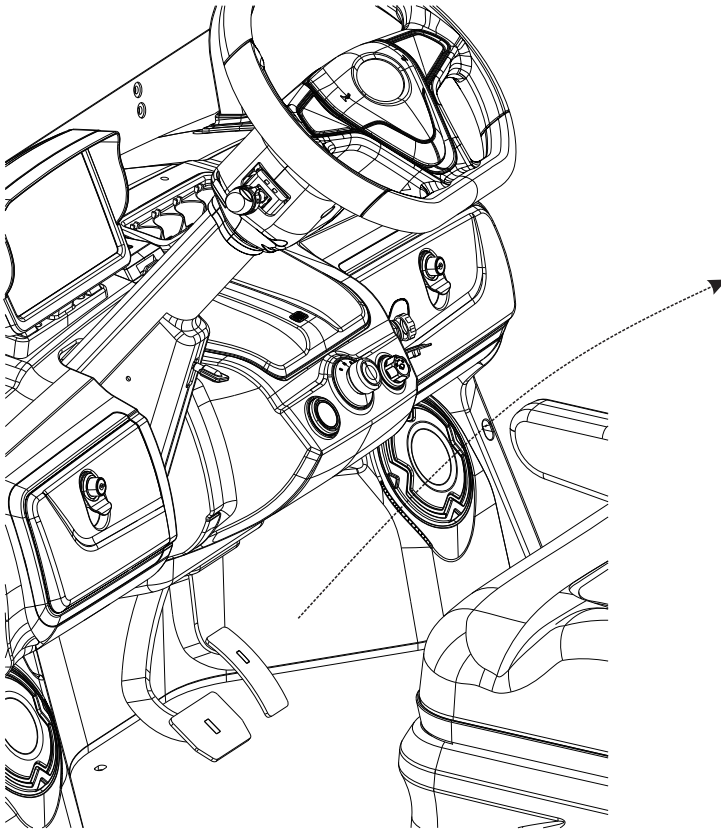


EEV 202202010003

REAR SEAT OCCUPANT WARNING DECAL

# SAFETY INFORMATION

Read all the safety statements carefully before attempting any procedure.

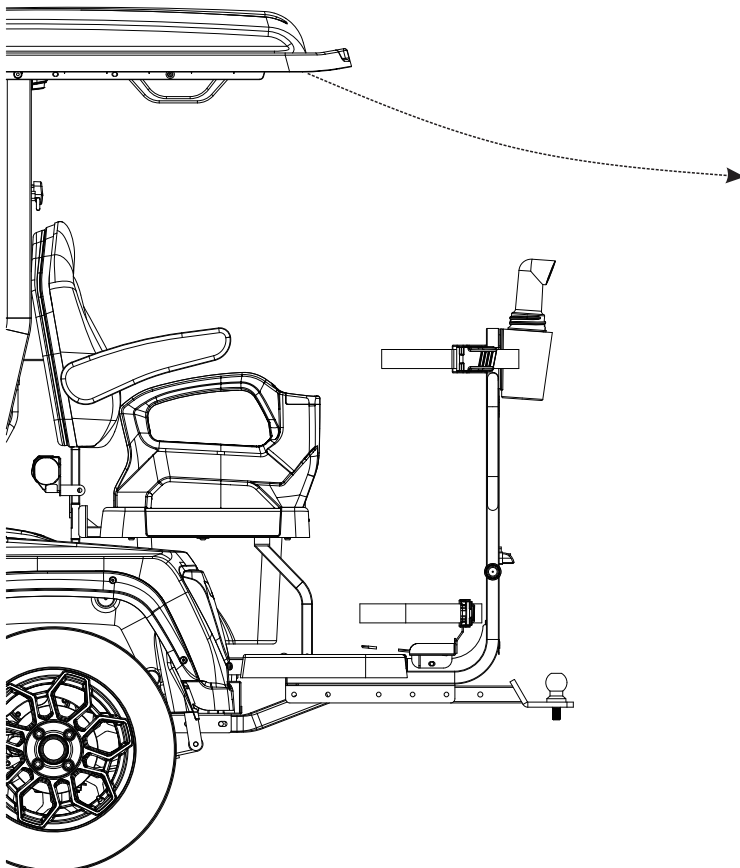


## WARNING

**ROLLOVER OR FALLING OFF MAY CAUSE SERIOUS INJURY OR DEATH.**

- Before using vehicle, read operating instructions.
- Do not start vehicle until all occupants are seated.
- Keep entire body inside vehicle while moving.
- Drive at a low, steady speed when taking turns or operating on inclines.
- Keep vehicle as straight as possible on inclines to avoid sliding or overturning.
- Use brakes to control speed when coasting downhill.
- Never operate under the influence of alcohol or drugs.
- For use by authorized persons in designated areas only.
- Remain seated while moving.
- Operate from driver side only.
- Never operate on public roads.
- Hold on to handle rail while moving.
- One (1) person per seat maximum.
- Never stand in front of or behind vehicle.
- Do not leave children unattended on vehicle.

EEV 20220110002



## WARNING

**ROLLOVER OR FALLING OFF MAY CAUSE SERIOUS INJURY OR DEATH.**

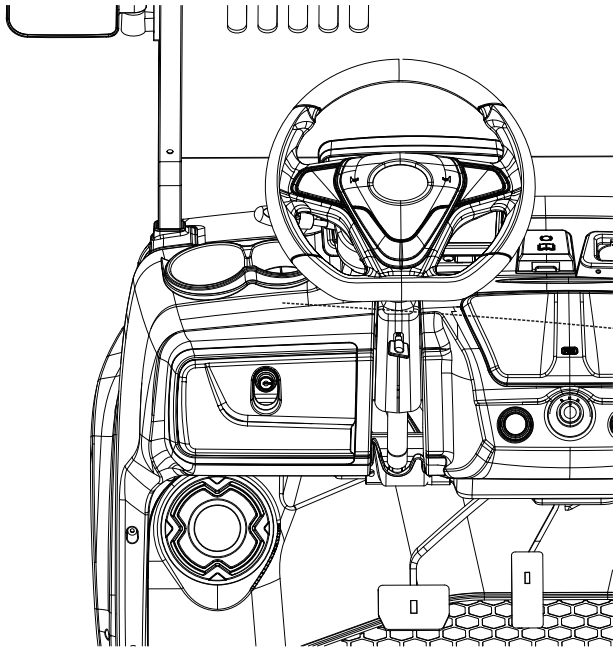
- Seat Belts Must Be Worn in This Vehicle at All Times.
- Hold on to the Hand Rail.
- Keep Your Arms and Legs Inside the Ride Vehicle at All Times.
- Children Are Not Allowed to Sit Alone on the Back Seats.
- One (1) Person Per Seat Maximum.
- Remain Seated While Moving.
- Do Not Start Vehicle Until All Occupants Are Seated.



EEV 20220110002

# SAFETY INFORMATION

Read all the safety statements carefully before attempting any procedure.



**OPERATING INSTRUCTIONS**

- Read owner's manual and dash-mounted safety warnings prior to driving.
- Study and understand controls.

**TO OPERATE**

- Turn wheels to desired direction and ensure path is clear.
- Turn key to ON position.
- While stopped, place Forward/Reverse switch in desired position. (D-Drive N-Neutral R-Reverse(Buzzer will sound))
- Press accelerator pedal to release parking brake
- Slowly press accelerator pedal to increase speed
- To stop, release accelerator pedal and press brake pedal.

**BEFORE LEAVING**

- Press parking brake pedal until it locks and holds vehicle.
- Place Forward/Reverse switch in NEUTRAL position.
- Turn key OFF and remove key when not in use.

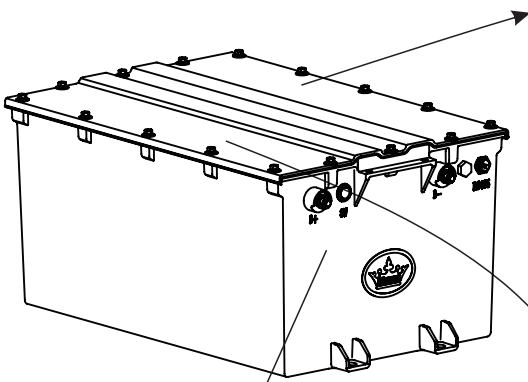
**MOTOR BRAKING**

- Electric motor braking provides speed regulation functions.
- Apply brakes to control vehicle speed as required.
- System is activated only when switch is in the DRIVE position.
- When towing this vehicle, switch must be in the NEUTRAL position.

REV 2021081011

**⚠ WARNING FAILURE TO FOLLOW THESE INSTRUCTIONS MAY RESULT IN SEVERE PERSONAL INJURY.**

- Service, removal or installation of battery pack must be performed by authorized personnel only.
- Improper handling of batteries and electrical components can result in severe personal injury.
- Do not immerse or throw the battery pack in water. Do not pressure wash the battery pack.
- Do not operate at temperatures below -4°F(-20°C)
- Do not expose to temperatures above 140°F(60°C)



**⚠ WARNING**

HEAVY

LIFT WITH CARE

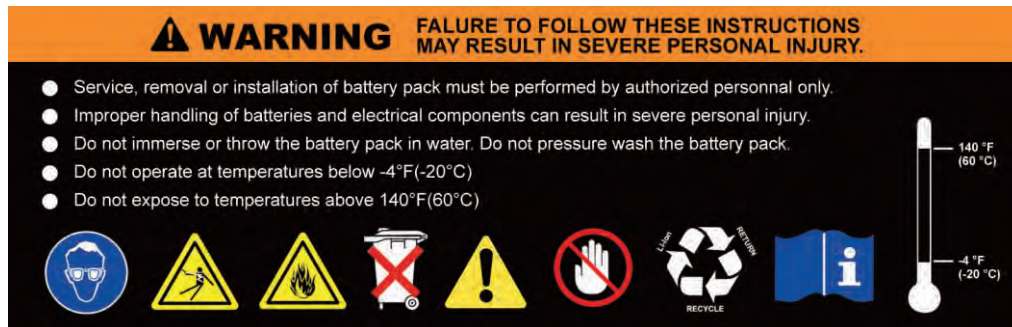
EVOLUTION ELECTRIC VEHICLES LITHIUM-ION BATTERY	
Battery Type	LiFePO4
Voltage	51.2V
Energy	5.63KWh
Capacity	110AH
Weight	96.8lbs(43.9kg)

# SAFETY INFORMATION




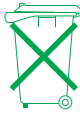




Read all the safety statements carefully before attempting any procedure.

## BATTERY SAFETY INFORMATION

Safety and warning labels are on the lithium battery for your protection. Read and comply with the instructions on the labels for avoiding the potential risks or injuries. If any labels shown below is damaged, comes off or becomes illegible, contact your EVOLUTION dealers for replacements.



Battery Warning Decal

	While working on a li-ion battery wear protective eyeglasses and clothing
	Electrical shock hazard. The terminals of a li-ion battery are always live, therefore do not place metallic items or tools on top of a li-ion battery. Avoid short circuits.
	Explosion and fire hazard. The terminals of a li-ion battery are always live, therefore do not place metallic items or tools on top of a li-ion battery. Avoid short circuits.
	Batteries must not be mixed with domestic or industrial waste .
	Do not open or dismantle the battery. Electrolyte is very corrosive. If the battery casing is damaged do not touch the exposed electrolyte or powder because it is corrosive.
	Do not touch any electrical components without any insulation protection.
	Batteries marked with the recycling symbol must be processed via a recognized recycling agency.
	Observe these instructions and keep them located near the battery for future. Read, understand and comply with all warning and instructions.

# SAFETY INFORMATION

Read all the safety statements carefully before attempting any procedure.

## LITHIUM-ION BATTERY DISPOSAL



- Lithium -ion batteries are recyclable.
- Lithium-ion batteries must be collected and recycled separately from other waste.
- Do not discard lithium-ion batteries as municipal waste.
- Speak with your dealer or distributor on returning or recycling used or damaged battery packs.
- Contact local or state environmental department for disposal information.



### WARNING

**Failure to operate the vehicles as instructed can cause collision, loss of control or roll over, resulting in severe injury or death. Follow all safety warnings or labels in this owner manual. All operator must read, understand and comply with these warnings and labels before operating the vehicles. Follow the safety information and operating procedures described.**

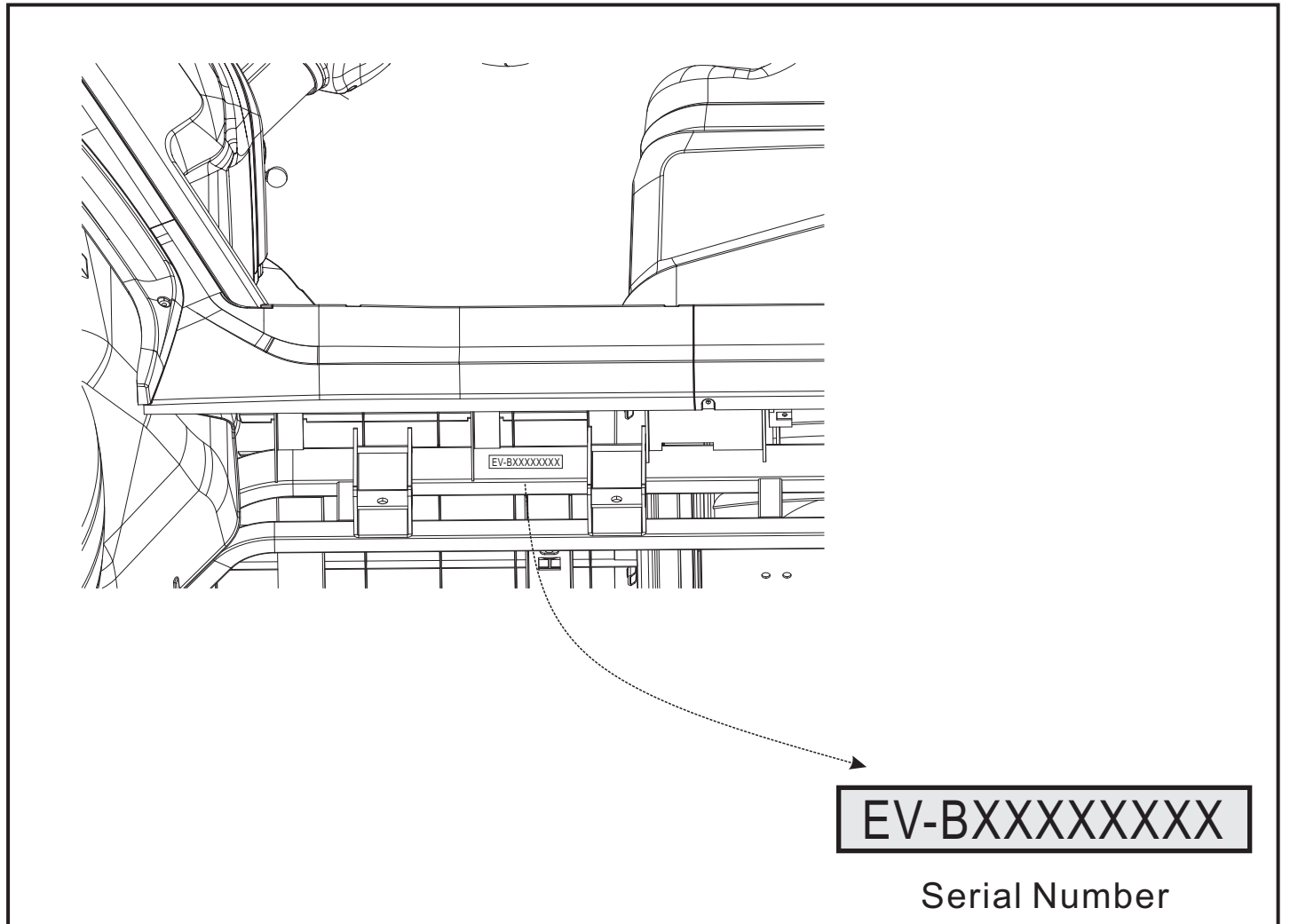
- Operate your vehicle responsibly to prevent dangerous conditions for the operator, passengers and other people in the area of operation
- Operate your vehicle responsibly and keep the vehicle in safe condition of operation
- The driver must keep both hands on the steering wheel and both feet on the floor or pedals.
- Inspect the vehicle before each use to make sure it is in safe operating condition. Perform the daily inspection described in this manual.
- Always have the vehicle checked by an authorized dealer if it is involved in an accident.
- Remove the key when the vehicle is not in use to prevent accidental starting or unauthorized use.
- Drive the vehicle at appropriate speeds for the terrain and conditions. Be aware of environmental conditions that change the terrain and your ability to control the vehicle.
- Do not drive on excessively steep hills. Evaluate the terrain before descending a hill. Drive slowly and deliberately. Use the brake to limit speed and maintain control. Sudden braking or turning can cause loss of vehicle control. Drive straight up or down the hill; do not drive across the hill.
- Operate only in approved areas. Follow all applicable safety rules for the area.

# VEHICLE SERIAL NUMBERS

Be familiar with vehicle features before attempting any operations.

## VEHICLE SERIAL NUMBERS

Vehicles manufactured by EVOLUTION corporation, all have vehicle's serial number on the left side of the chassis frame. The EV represent the brand EVOLUTION. The front two letters after EV represent the manufacturing year of the vehicle. The other seven numbers are the vehicle's serial number given by EVOLUTION corporation. All the vehicles are documented. After the vehicles are sold out of the factory, EVOLUTION corporation will track the vehicles by using the vehicle's serial number as identity. Serial numbers are warranty insurance from EVOLUTION corporation. Customers should be aware of the importance of vehicle serial numbers.

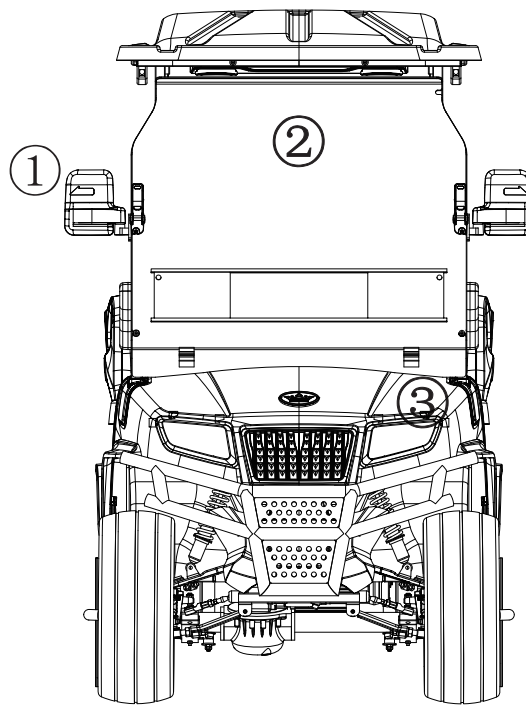


**⚠ CAUTION**

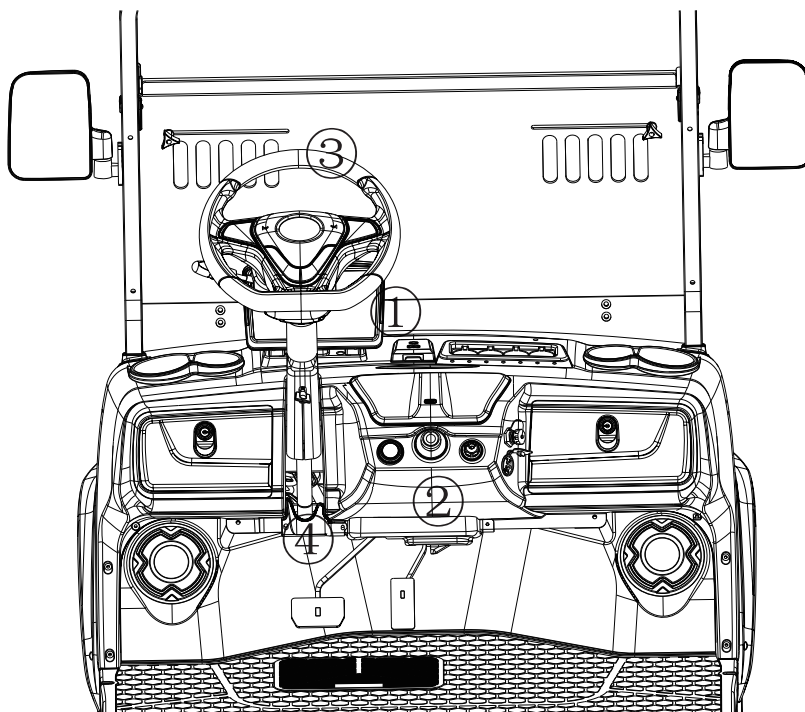
Design changes occur on a continuous basis. In order to get the correct components for Vehicles, the correct serial number and vehicle model must be supplied. The warranty might become invalid due to missing serial numbers .

Please contact dealer and provide the adequate purchase documents for warranty and get a new serial number plate as soon as possible.

Be familiar with vehicle features before attempting any operations.



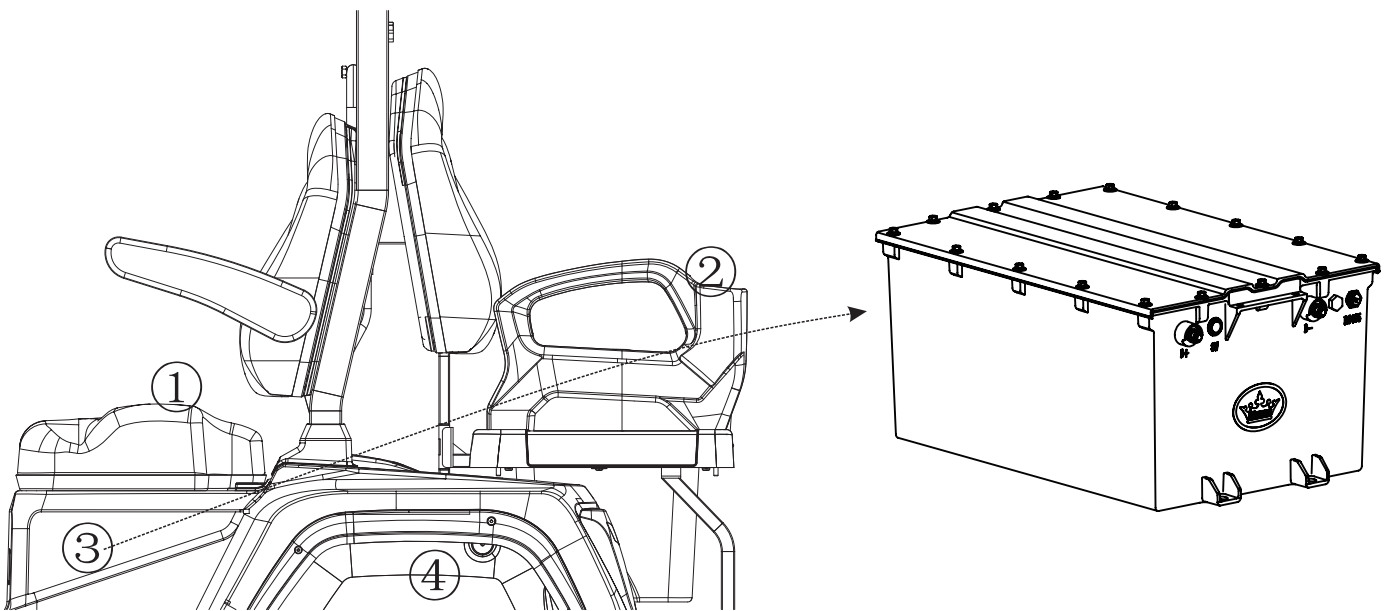
- ① REARVIEW MIRRORS WITH TURN SIGNAL INDICATORS
- ② FOLDABLE WINDSHIELD WITH SLIDABLE AIR VENTS
- ③ HEADLIGHTS



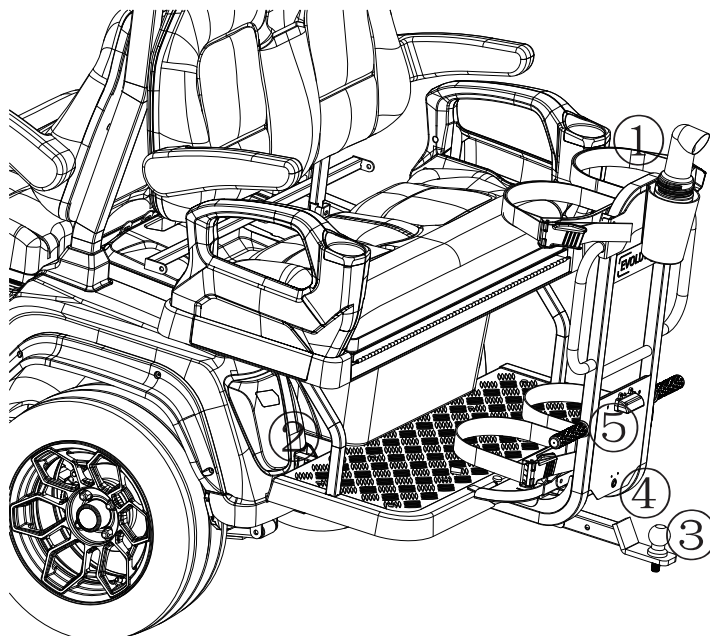
- ① 9 INCH MULTI-FUNCTIONAL TOUCHSCREEN
- ② MULTI-FUNCTIONAL DASHBOARD
- ③ AUTOMOTIVE STYLE STEERING WHEEL
- ④ ADJUSTABLE STEERING WHEEL IN TILTING ANGLE

# VEHICLE FUTURES

Be familiar with vehicle features before attempting any operations.

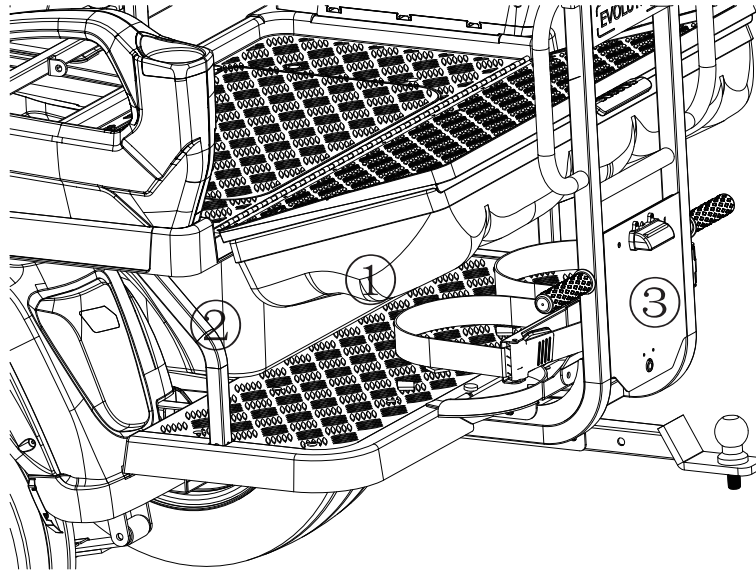


- ① LUXURY SEAT WITH FOLDABLE ARMREST
- ② REAR SEAT ARMREST WITH CUP HOLDERS
- ③ LITHIUM BATTERY PACK .LONG RANGE 110AH(EXTENED RANGE 205AH OPTIONAL)
- ④ AUTOMOTIVE E-COAT CHASSIS

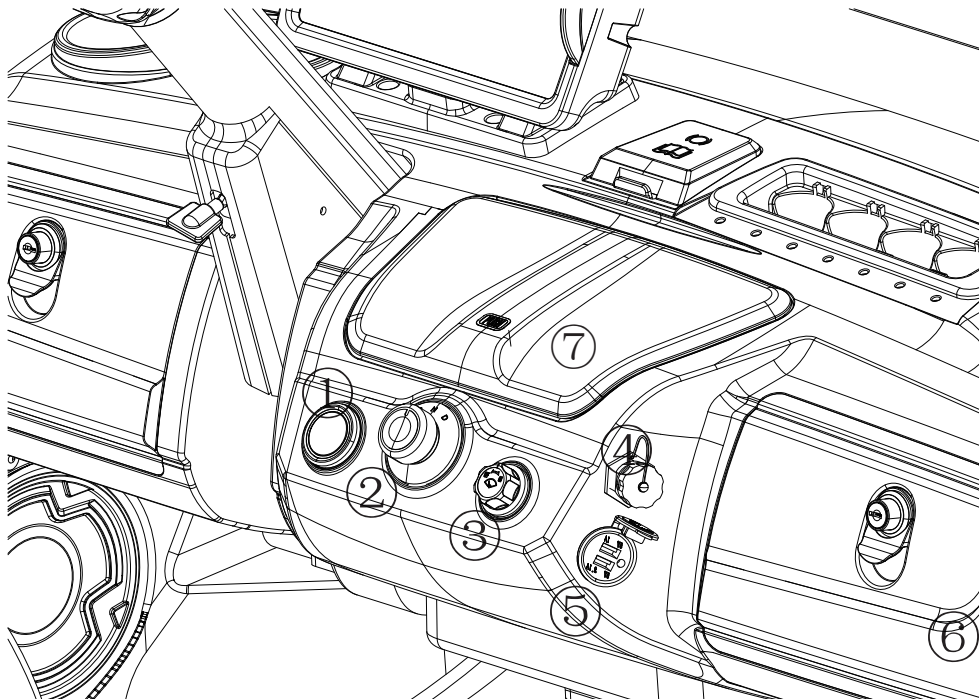


- ① GOLF BAG HOLDER(OPTIONAL)
- ② TAILLIGHTS
- ③ TRAILER HOOK(OPTIONAL)
- ④ BACKUP CAMERA
- ⑤ LICENSE LIGHT

Be familiar with vehicle features before attempting any operations.



- ① FOLDABLE LUXURY REAR SEAT
- ② STORAGE BUCKET FOR REAR SEAT
- ③ LICENSE PLATE



- ① POWER BUTTON
- ② DIRECTION SWITCH
- ③ HIGH/LOW SPEED MODE KNOB SWITCH
- ④ USB PORT FOR 9 INCH TOUCHSCREEN
- ⑤ USB CHARGING PORTS
- ⑥ GLOVE BOX WITH LOCKS
- ⑦ STORAGE COMPARTMENT

# OPERATION AND CONTROLS

Be familiar with vehicle features before attempting any operations.



## DANGER

OPERATING THE VEHICLE WHILE OCCUPANTS ARE NOT FULLY SEATED CAN CAUSE SERIOUS PERSONAL INJURY OR DEATH. START THE VEHICLE ONLY WHEN ALL OCCUPANTS ARE FULLY SEATED.

FALLING OBJECTS CAN CAUSE PROPERTY DAMAGE, SERIOUS PERSONAL INJURY, OR DEATH. DO NOT OPERATE THE VEHICLE WHERE THERE IS A RISK OF FALLING OBJECTS. DO NOT LET A PASSENGER HOLD A CHILD ON THEIR LAP WHILE THE VEHICLE IS IN OPERATION. DO NOT LET PASSENGERS RIDE IN THE VEHICLE OR TRAILER BEING TOWED.



## WARNING

KEEP AWAY FROM DROP-OFFS, STEEP SLOPES, AND UNSTABLE SURFACES. SUDDEN STARTS, STOPS, AND TURNS CAN CAUSE PROPERTY DAMAGE AND SERIOUS PERSONAL INJURY. PREVENT SUDDEN STARTS, STOPS, AND TURNS. FAILURE TO CORRECTLY MAINTAIN THE VEHICLE AND MAKE NECESSARY REPAIRS CAN DECREASE VEHICLE PERFORMANCE, CAUSE A FIRE, PROPERTY DAMAGE, SERIOUS PERSONAL INJURY, OR DEATH. IF PROBLEMS ARE FOUND DURING SCHEDULED INSPECTION OR SERVICE, OPERATE THE VEHICLE ONLY WHEN REPAIRS ARE MADE.

MAKE SURE THAT ALL PASSENGERS CAN SECURE THEMSELVES IN THE VEHICLE BEFORE VEHICLE OPERATION. TO PREVENT SERIOUS PERSONAL INJURY, KEEP ENTIRE BODY IN THE VEHICLE DURING OPERATION.

THE VEHICLE IS NOT SPECIALLY EQUIPPED FOR HANDICAPPED PERSONS. BEFORE VEHICLE OPERATION, MAKE SURE THAT ALL PERSONS COMPLY WITH THE WARNINGS AND OPERATING INSTRUCTIONS. INCORRECT OPERATION OF THE VEHICLE CAN CAUSE DECREASED VEHICLE PERFORMANCE, PROPERTY DAMAGE, SERIOUS PERSONAL INJURY, OR DEATH.

TO PREVENT FALLS FROM THE VEHICLE, PASSENGERS MUST STAY SEATED AND ALWAYS HOLD ON TO HAND HOLDS OR HANDRAILS WHEN THE VEHICLE IS IN OPERATION. THE DRIVER MUST KEEP BOTH HANDS ON THE STEERING WHEEL WHEN THE VEHICLE IS IN OPERATION.

A SHARP TURN AT HIGH SPEEDS CAN CAUSE A ROLL-OVER, FALL, PROPERTY DAMAGE, AND SERIOUS PERSONAL INJURY. OPERATE THE VEHICLE SLOWLY IN TURNS. UNINTENDED VEHICLE OPERATION CAN CAUSE SERIOUS PERSONAL INJURY OR DEATH.

BEFORE LEAVING THE VEHICLE OR DURING VEHICLE MAINTENANCE, DISABLE THE VEHICLE.

THE VEHICLE IS NOT DESIGNED TO MEET CHILD SAFETY SEAT COMPATIBILITY REQUIREMENTS. CHILDREN REQUIRING A CHILD SAFETY SEAT MUST NOT RIDE ON THE VEHICLE. COMPLY WITH STATE AND LOCAL LAWS PERTAINING TO CHILD SAFETY.



## CAUTION

OPERATE THE VEHICLE ONLY FROM THE DRIVERS SEAT.

OPERATE THE VEHICLE ONLY IN SPECIFIED AREAS.

ONLY AN AUTHORIZED LICENSED DRIVER CAN OPERATE THE VEHICLE.

ONLY OPERATE THE VEHICLE IN COMPLIANCE WITH LOCAL AND STATE LAWS.

USE CAUTION WHEN OPERATING THE VEHICLE IN THE PRESENCE OF HIGHER-SPEED VEHICLES, IN CONGESTED AREAS, OR ON UNIMPROVED SURFACES.

Be familiar with vehicle features before attempting any operations.

## PRE-OPERATION SAFETY AND PERFORMANCE INSPECTION

Use the pre-operation checklist to inspect the operational conditions and performance of the vehicle. If bad operational conditions are found on a vehicle, stop operations. Removal from operation can prevent further damages to the vehicle or serious injuries. If the vehicle is not in an operate-able condition, inquire your dealer for maintenance or repairs.

### PRE-OPERATION CHECKLIST

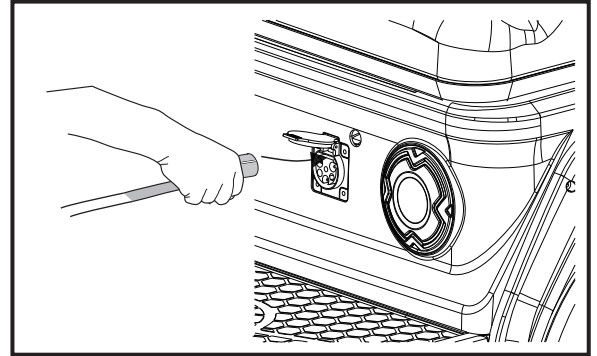
INSPECTION ITEMS	INSPECTION PROCEDURES
BATTERY	Before initiate using vehicle, the batteries should be fully charged, Replace the bad/broken/damaged parts during inspection.
BRAKE	Check the brake pedal , when stepped it should be flexible and feels firm . And it returns to its original position with flexibility when released
ACCELERATOR PEDAL	Check the accelerator pedal ,when stepped and released it should return to its original position with full flexibility.
TIRES	Check the tires' pressure, pressure is around 20 psi. Check tires surface, remove any embedded objects you can find. Be sure no cracks or other damages to the tires ,defective tires may cause accident while driving.
STEERING	Pull the steering wheel up and down ,check the tightness of steering wheel .Rotate the steering wheel right and left. Be sure no excessive free play and rattling sound .
REVERSER WARNING BEEPER	Check the reverse beeper, when the direction selecting switch be set at "REV", it should beep soundly.
LIGHTS	Check the signal lights, the brake lights and turning lights should be in proper working condition.

# OPERATION AND CONTROLS

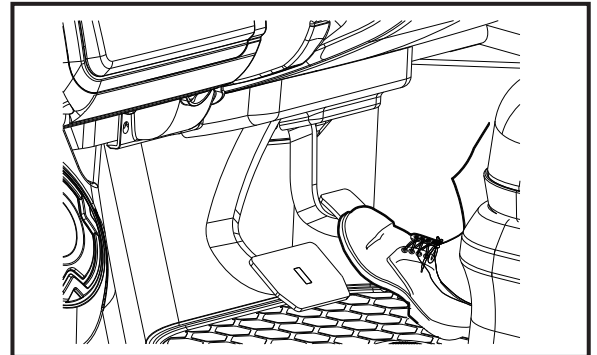
Be familiar with vehicle features before attempting any operations.

## PRE-OPERATION SAFETY AND PERFORMANCE INSPECTION

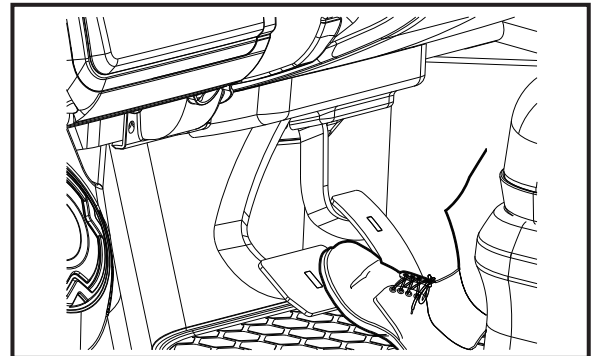
Before initiate using vehicle, the batteries should be fully charged.



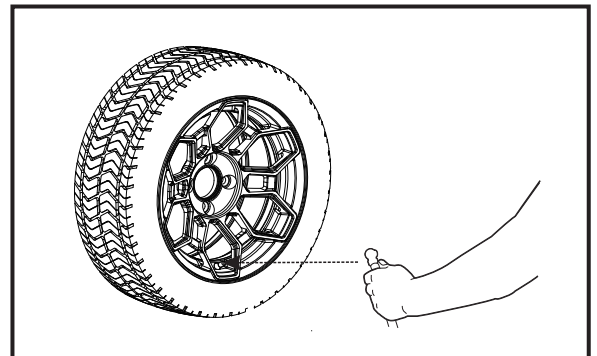
Check the accelerator pedal ,when stepped and released it should returns to its original position with full flexibility.



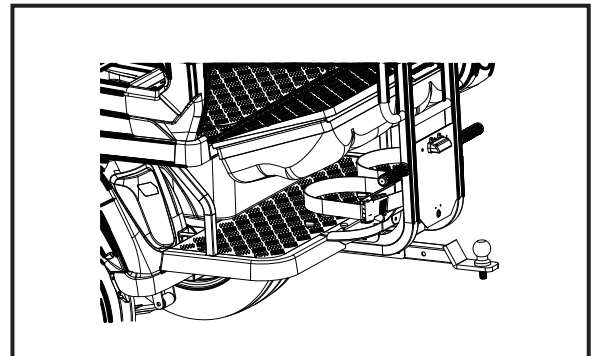
Check the brake pedal , when stepped it should be flexible and feels firm . And it returns to its original position with flexibility when released.



Check the tires' pressure, it should be inflated until the internal pressure is around 22psi (138kpa).



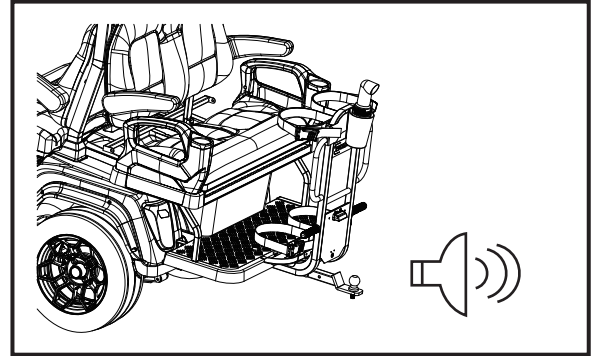
Check the signal lights, the brake lights and turning lights should be in proper working condition.



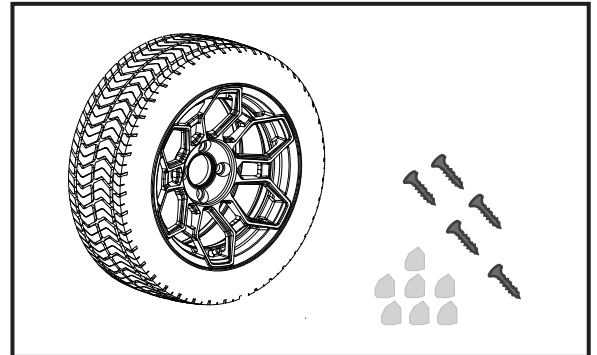
Be familiar with vehicle features before attempting any operations.

## PRE-OPERATION SAFETY AND PERFORMANCE INSPECTION

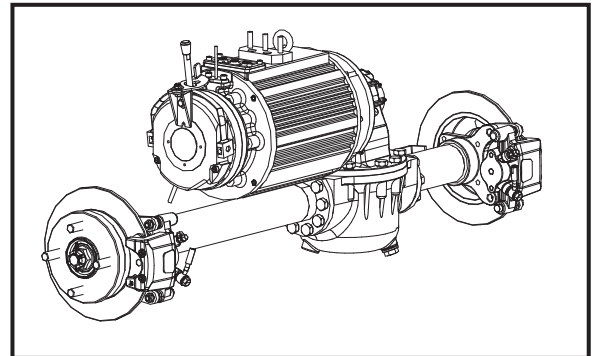
Check the reverse beeper ,when the direction selecting switch be set at “REV”, it should beep soundly.



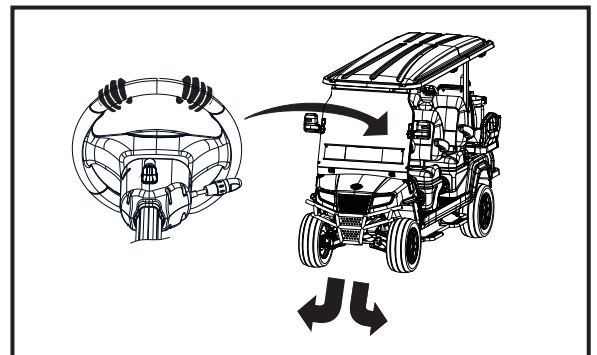
Check the tires' surface , remove any embedded objects you can find . Be sure no cracks or other damages to the tires ,defective tires may cause accident while driving.



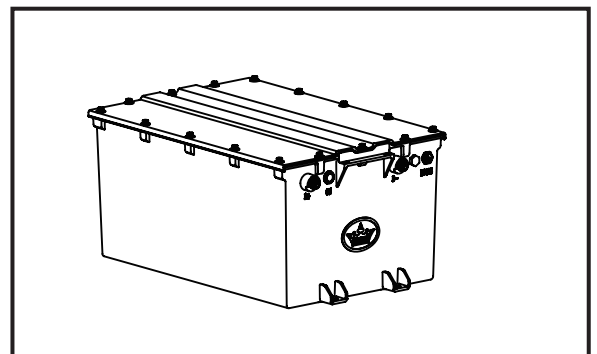
Check the lubricant capacity the rear axle contains, use a cleaned stick , stick it into the rear axle and reach the bottom , pull it out check the depth. The amount of oil should be around 0.8L.



Pull the steering wheel up and down, check the tightness of steering wheel. Rotate the steering wheel right and left. Be sure no excessive free play or rattling sound.



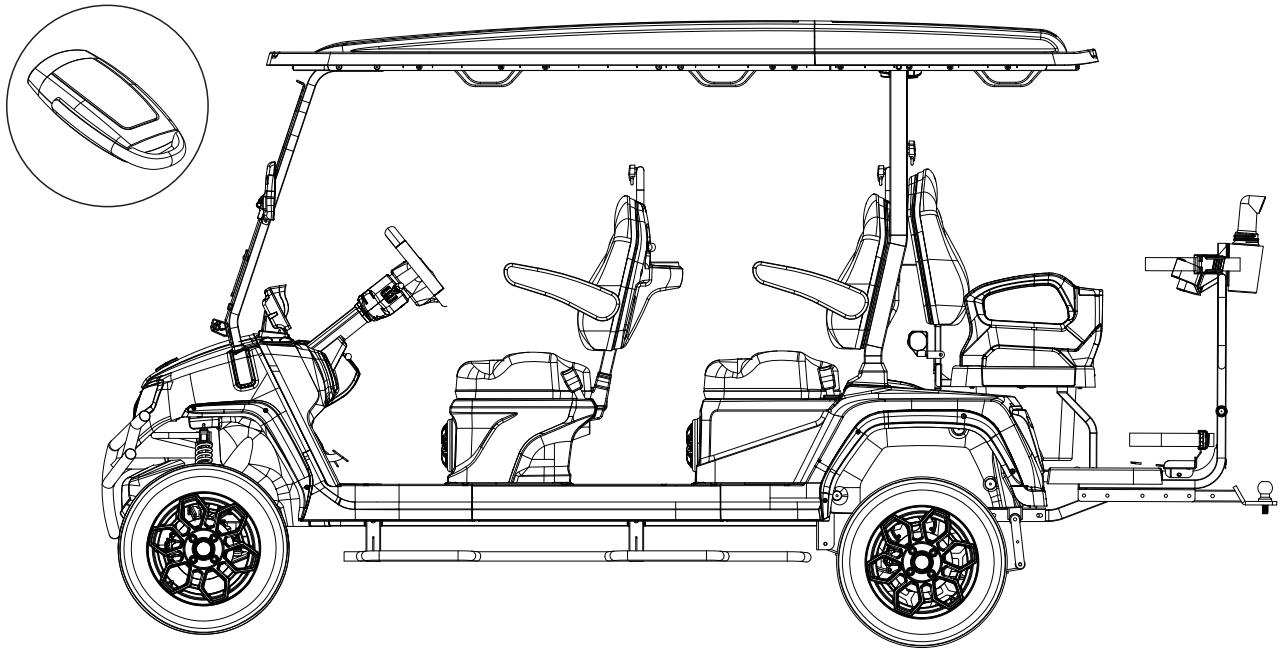
Check the tightness of the battery cables, make sure all the nuts are solidly tight. Loose nuts on the battery will cause sparks while operating.



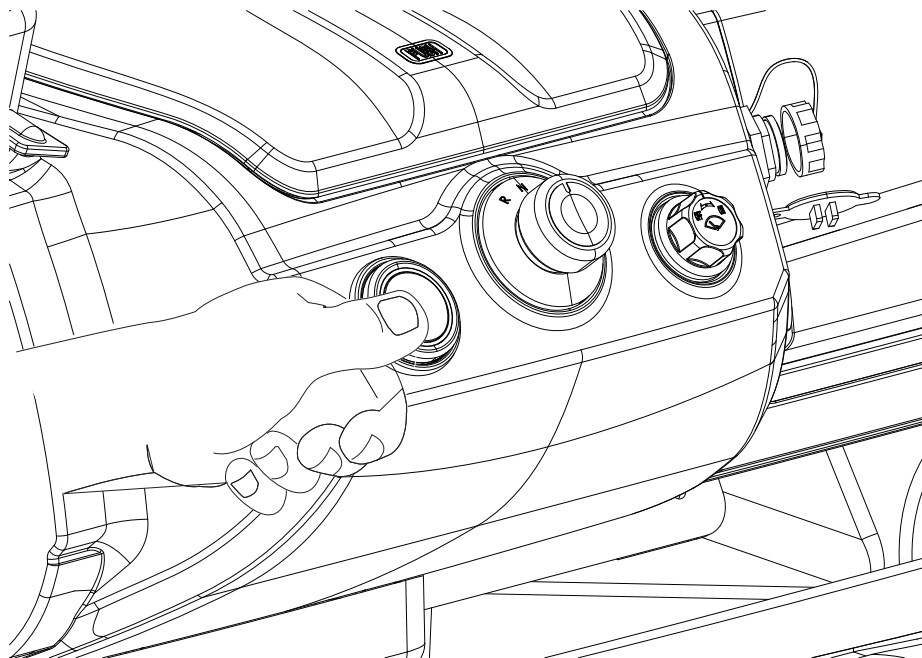
# OPERATION AND CONTROLS

Be familiar with vehicle features before attempting any operations.

## .START THE VEHICLE



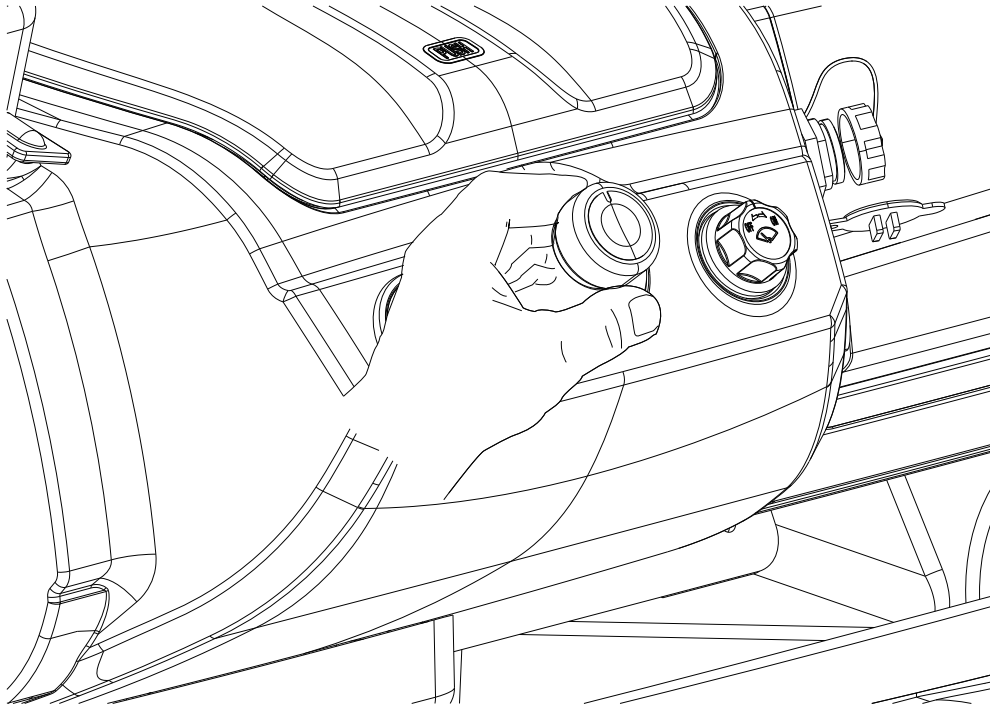
KEEP THE KEY FOB INSIDE / CLOSE TO THE VEHICLE ( MAXIMUM DETECTION DISTANCE 3.3 FEET )



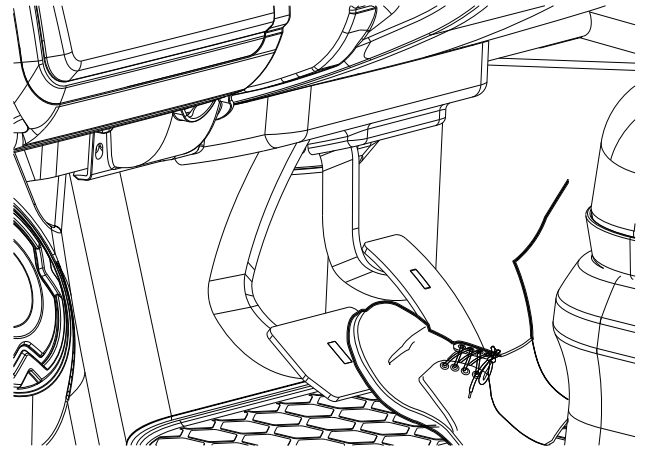
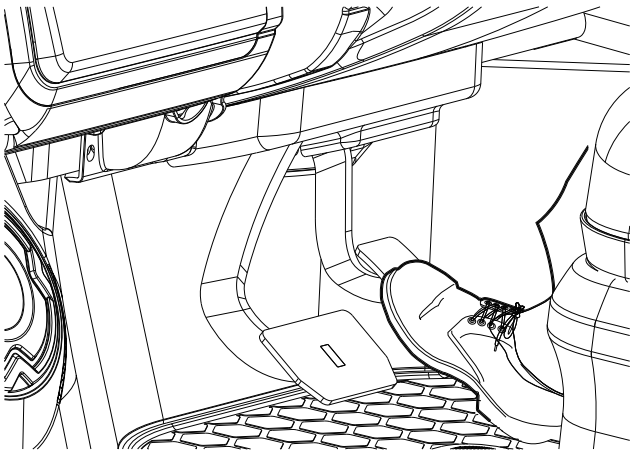
PUT THE DIRECTION SWITCH IN "N" POSITION , STEP ON THE **BRAKE PEDAL** . PRESS THE "**POWER**"  
BUTTON TO START THE VEHICLE .

Be familiar with vehicle features before attempting any operations.

## .DRIVE AND CONTROL



SELECT VEHICLE MANEUVERING DIRECTION.  
"R" > REVERSE, "N" > NEUTRAL, "D" > DRIVE

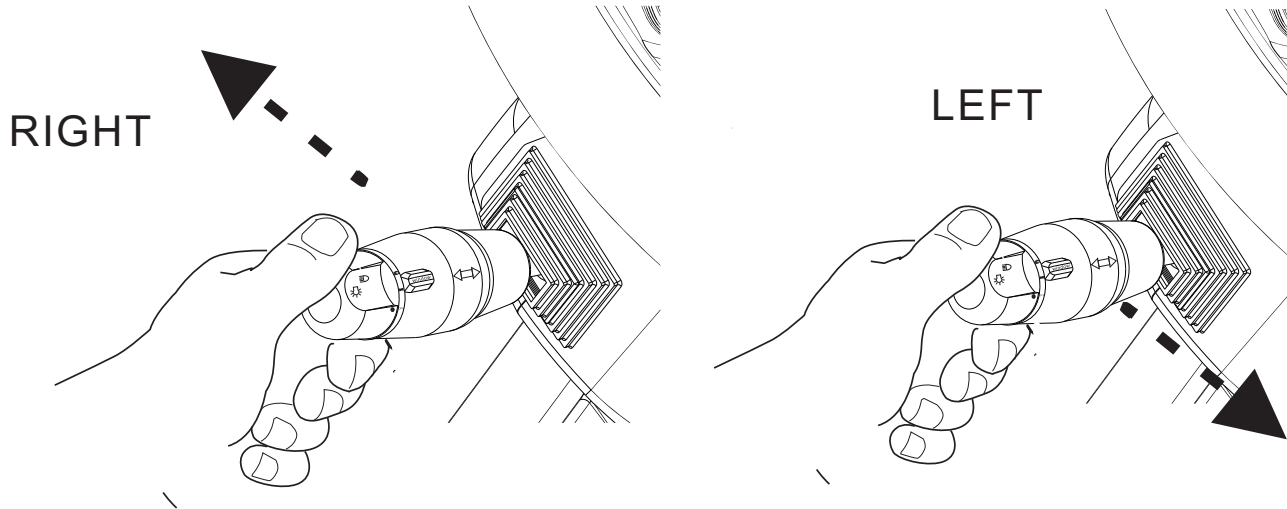


1. USE ACCELERATOR PEDAL TO ACCELERATE
2. APPLY BRAKE PEDAL TO REDUCE SPEED

# OPERATION AND CONTROLS

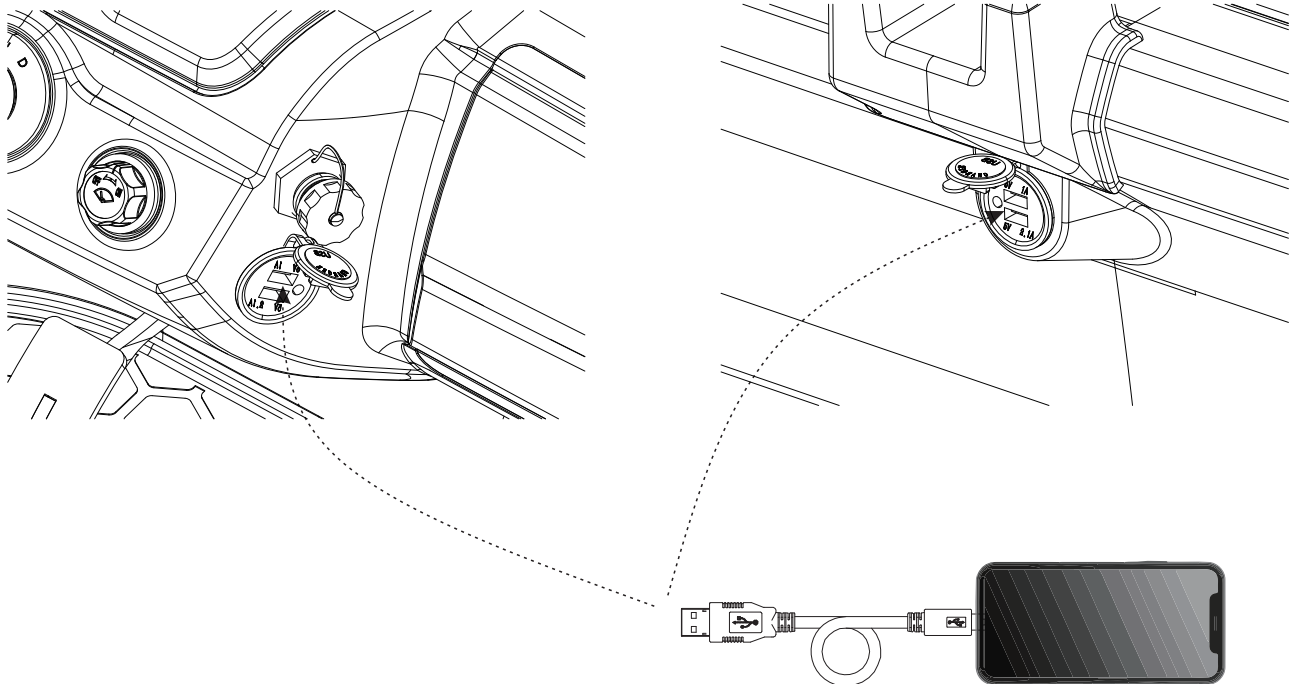
Be familiar with vehicle features before attempting any operations.

## .TURN SIGNALS



PUSH & PULL THE CONTROL STALK FORWARDS OR BACKWARDS TO ENABLE LEFT TURN SIGNALS OR RIGHT TURN SIGNALS .

## .CHARGING PORTS

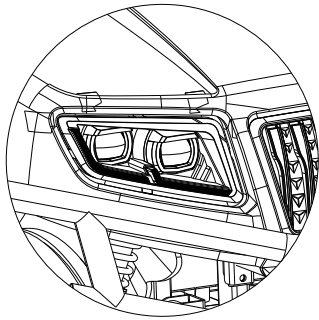


USE THE USB CHARGING PORTS TO CHARGE YOUR PHONES

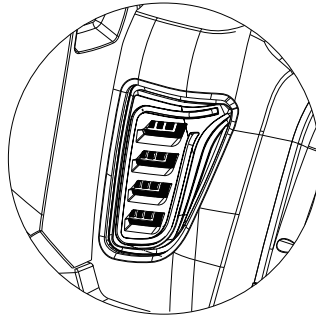
# OPERATION AND CONTROLS

Be familiar with vehicle features before attempting any operations.

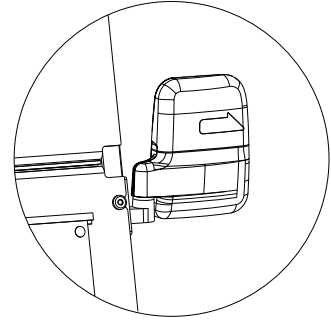
## .LIGHTS CONTROL



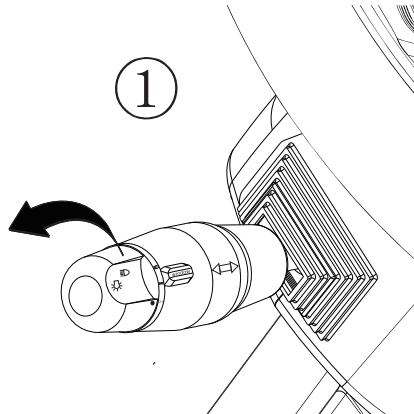
HEADLIGHT ASSEMBLY



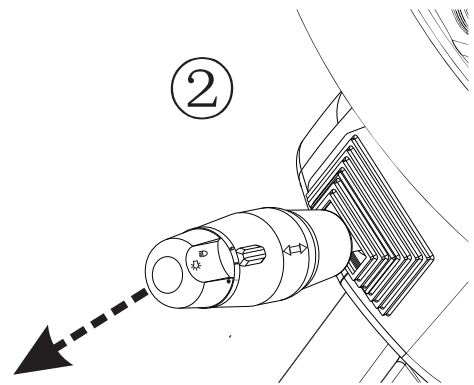
TAILLIGHT ASSEMBLY



TURN SIGNAL ON REARVIEW MIRRORS

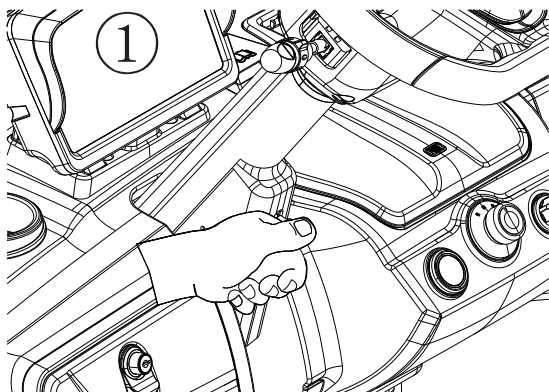


1. ROTATE THE LIGHT CONTROL KNOB TO ENABLE HEAD LIGHTS (LOW BEAM)

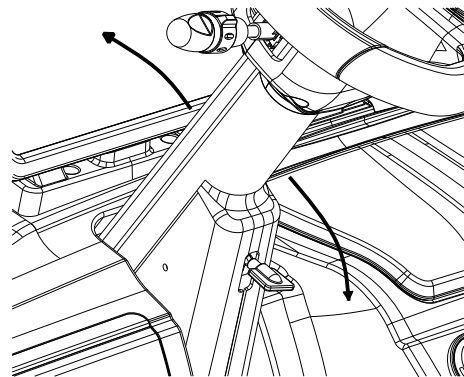


2. PULL DOWN THE CONTROL STALK TO ENABLE THE HIGH BEAM (AFTER LOW BEAM IS ENABLED)

## .ADJUST THE HEIGHT OF THE STEERING COLUMN



1. PRESS THE ADJUSTMENT KNOB SHOWN IN PIC 1 DOWNWARD.

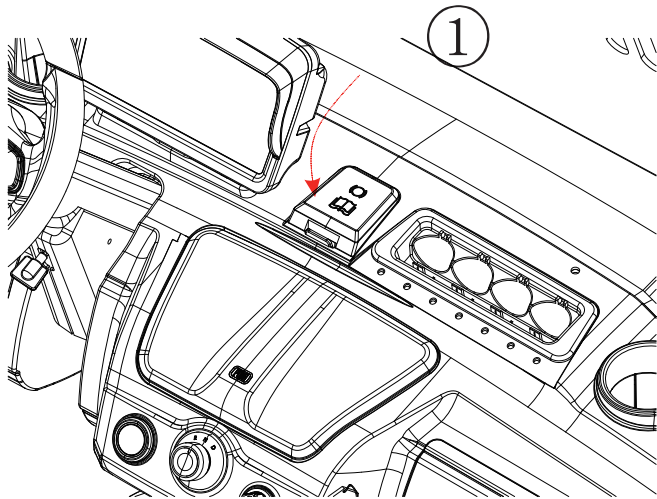


2. PUSH THE STEERING COLUMN UP/DOWN TO THE HEIGHT YOU WANT.

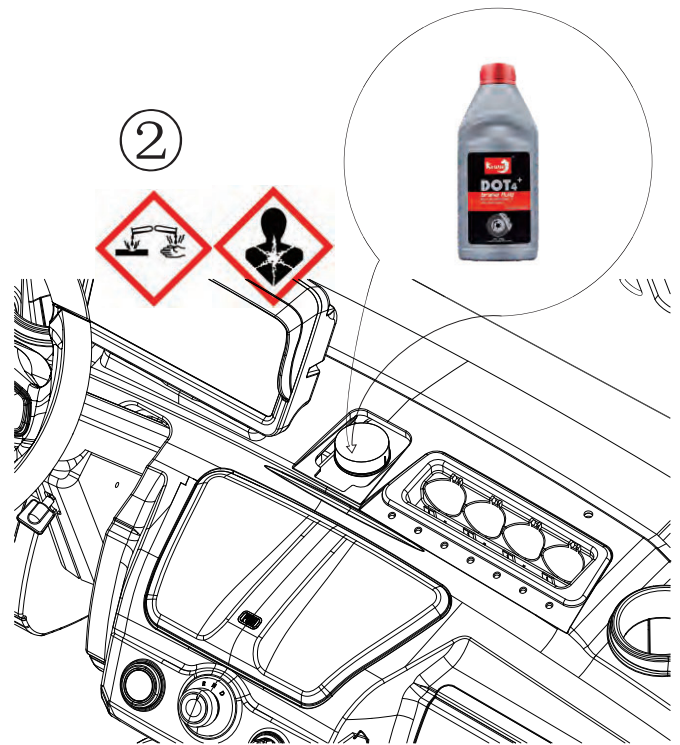
# OPERATION AND CONTROLS

Be familiar with vehicle features before attempting any operations.

## .ADDING BRAKE FLUID

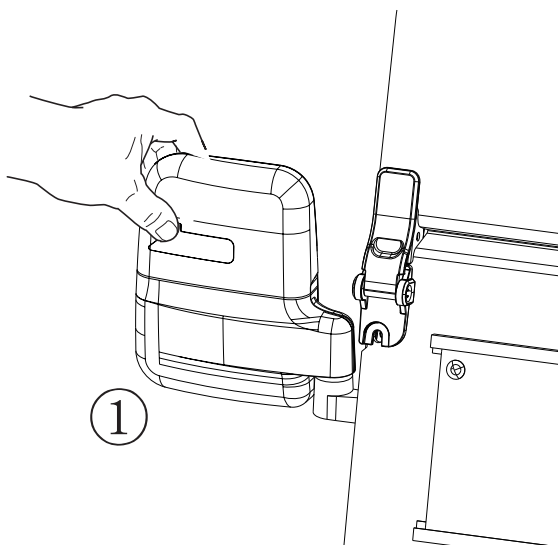


1.REMOVE THE BRAKE OIL POT COVER ON THE DASHBOARD TO GET ACCESS TO THE OIL TANK.

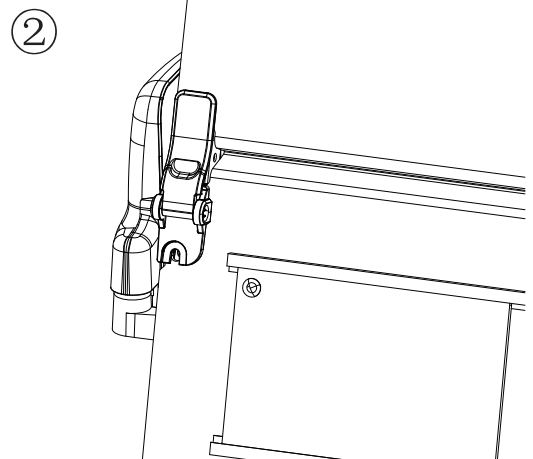


2.CHECK THE FLUID LEVEL ,ADD DOT 4 BRAKE FLUID TO THE TANK .

## .REAR VIEW MIRROR FOLDING



1.PUSH THE TIP OF THE REAR VIEW MIRROR INWARDS(PIC ①).

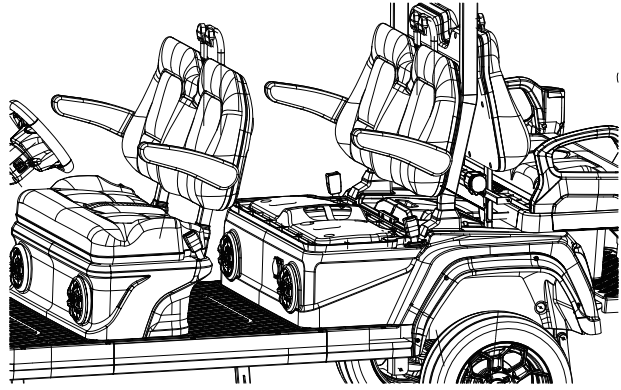
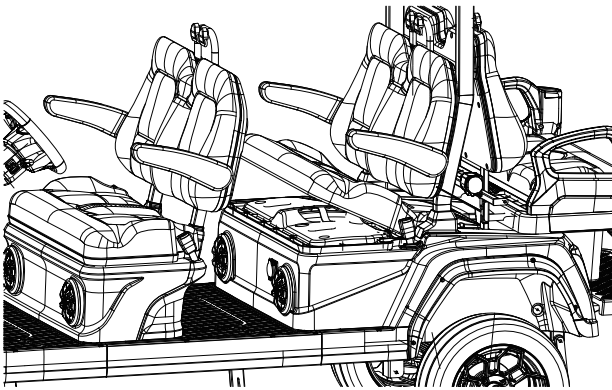


2.THE MIRROR CAN BE FOLDED INWARD 90 DEGREES(PIC ②).

# OPERATION AND CONTROLS

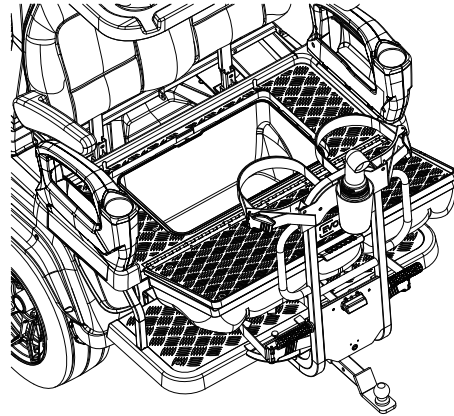
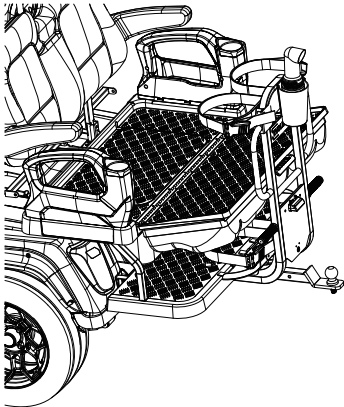
Be familiar with vehicle features before attempting any operations.

## .REMOVE THE SEAT



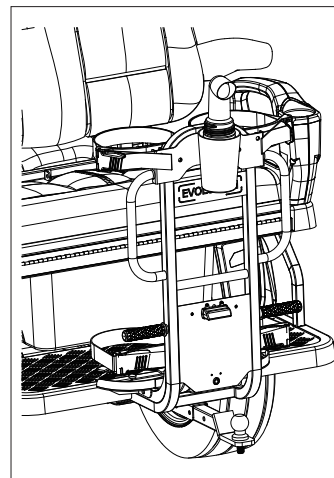
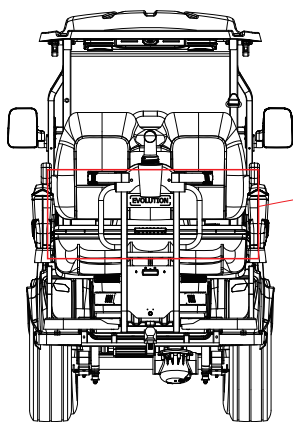
1. LIFT THE SEAT FROM THE FRONT SO THAT THE BALL AT THE BOTTOM OF THE SEAT SEPARATES FROM THE SOCKET ON THE BARREL.
2. REMOVE THE SEAT.

## .OPEN THE REAR STORAGE BUCKET



1. FLIP THE REAR SEAT UP.
2. REMOVE THE STORAGE BUCKET COVER.

## .GOLF BAG HOLDER

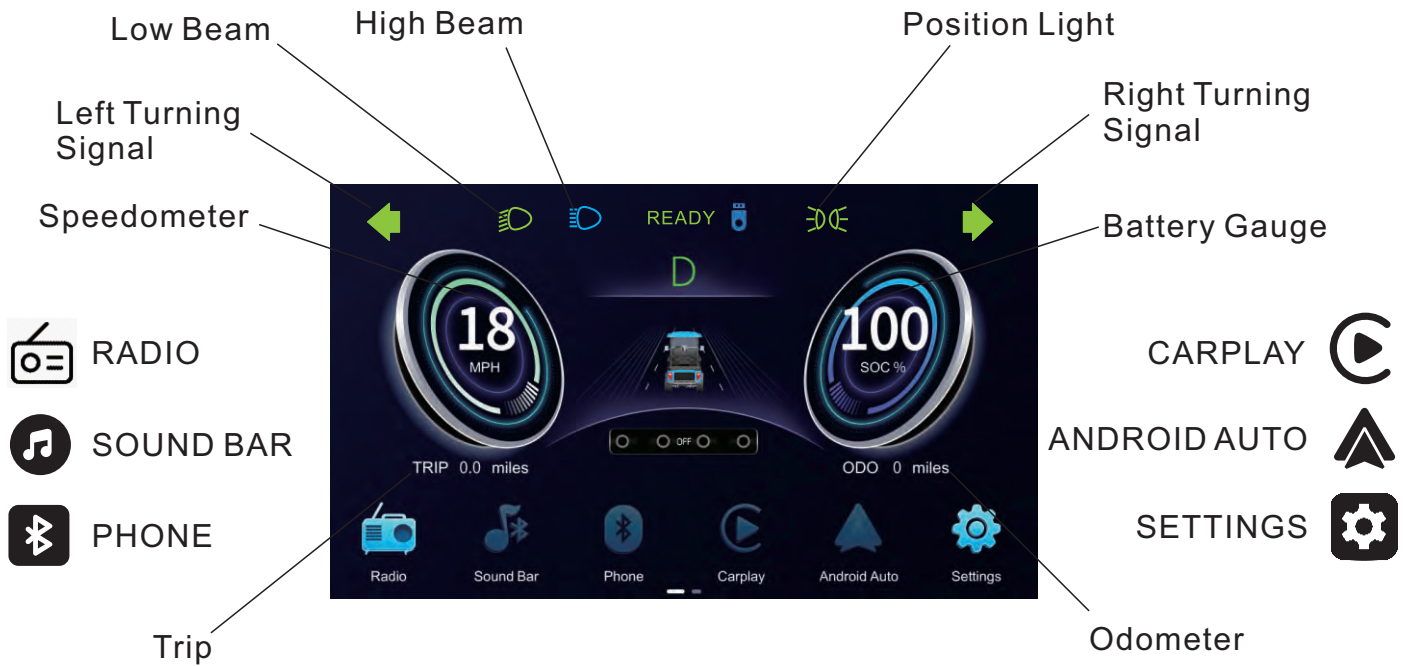


1. Loosen the claps on both side of the golf bag holder.
2. Adjust the golf bag support belt to the suitable length, and fasten the snap.

# TOUCHSCREEN MANUAL

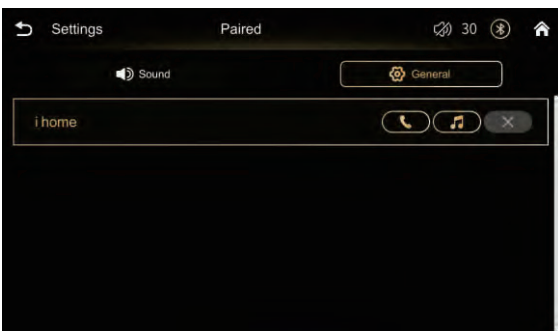
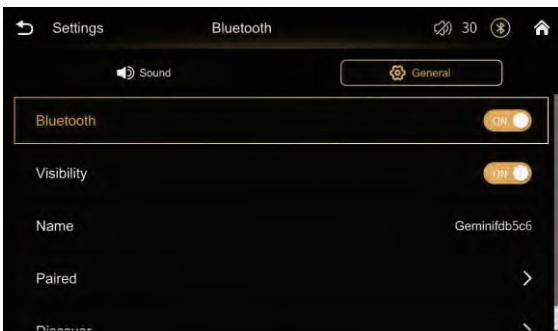
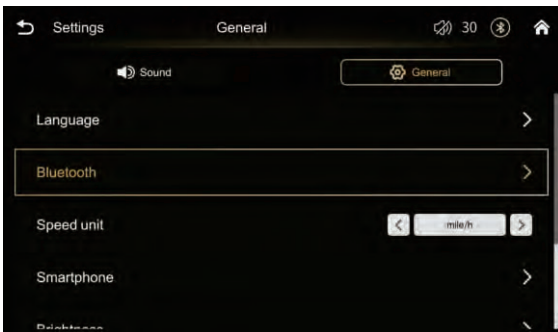
Be familiar with vehicle features before attempting any operations.

## TOUCHSCREEN INTRODUCTION



### 1. Bluetooth

#### Get your phone connected.



**Step 1:** Power on the vehicle .

**Step 2:** Enable Blue tooth function on your cell phone.

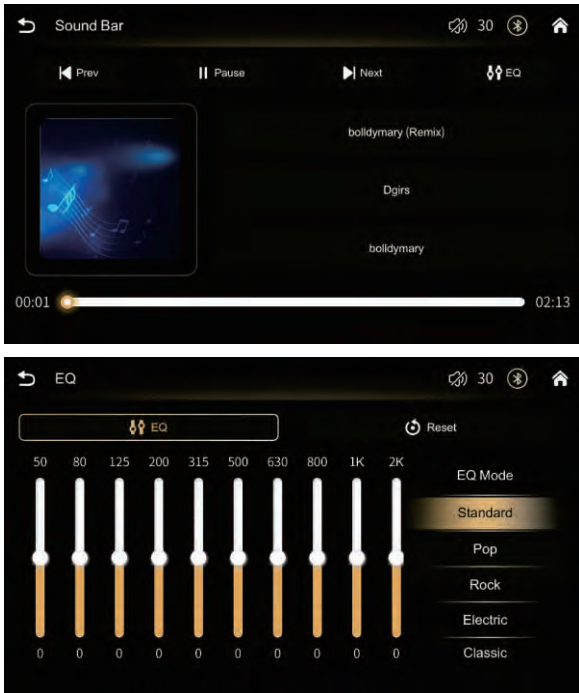
**Step 3:** Search for "CA-BT-XXXX" in your device list.

**Step 4:** Choose the device to establish the connections . Now you can make phone calls or play music out of your phone.

**Step 5:** Go to Paired can check the conneced decices.

Be familiar with vehicle features before attempting any operations.

## 2.SOUND BAR



When the Bluetooth connects to the phone, go to the “Sound Bar” menu, and the music you select to play on the phone will be displayed in this page.

Tap button to switch the currently playing music to the previous song in the song list.

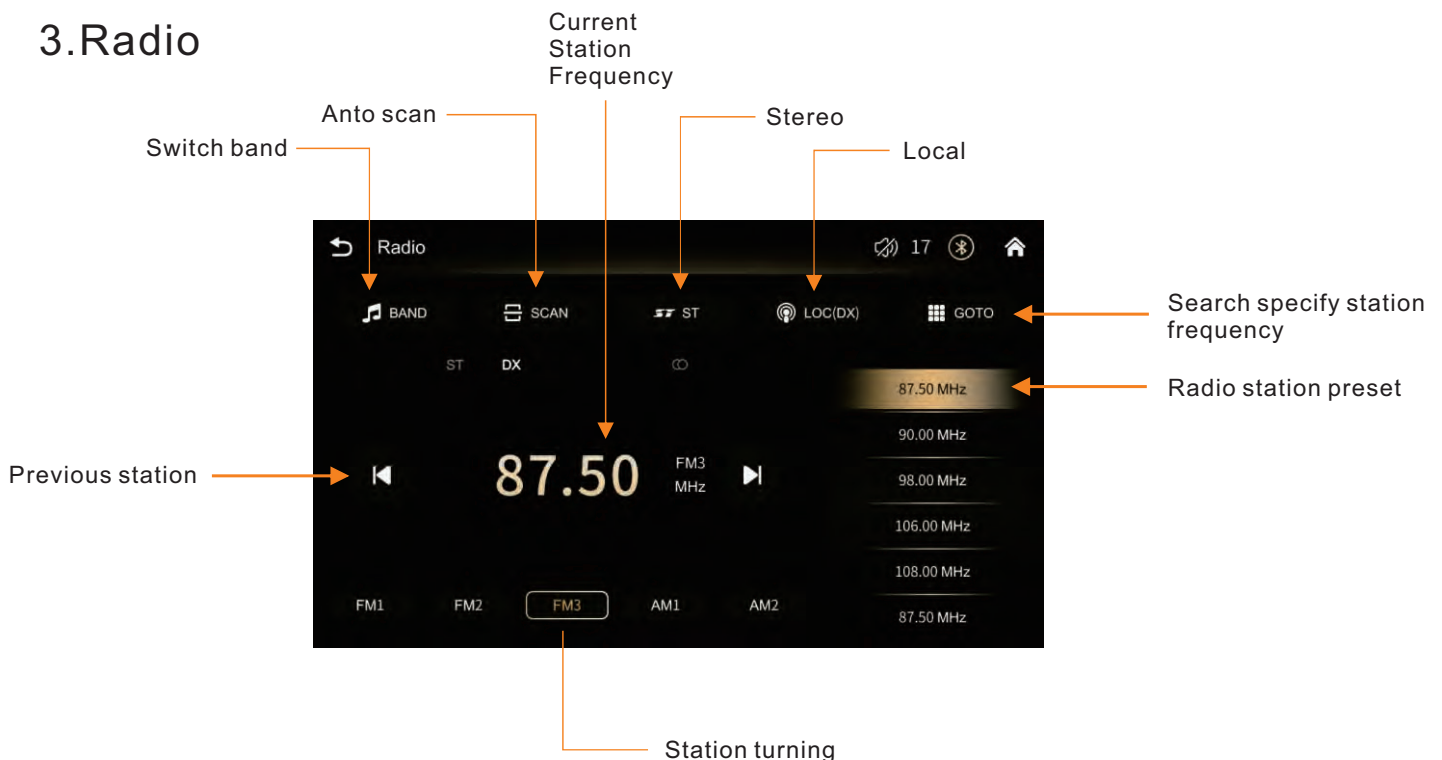
Tap button to switch the currently playing music to the next song in the song list.

Press and hold button to continue fast forwarding the currently playing music until it reaches the end.

Tap button to enter the EQ function, then you can freely adjust the musical style, there are six styles that you can set. Also you can freely adjust the audio what you want.

Tap button to reset the adjustment to the factory set.

## 3.Radio



### Store the sequence of stations:

When the automatic search station function is activated, the meter will automatically search for the local radio station, and the radio frequency number is stored in the local, convenient for users to call and manage. Up to 30 stations can be stored, and 6 preset stations are displayed in each column of the right window area. There are 5 bands that you can choose.

### Storage station selection:

The two buttons and can be used to select the previous/next station of the preset station, respectively.

### Stereo logo:

If the current station broadcasts in stereo and the current signal meets the stereo decoding requirements, icon will be activated or you can manually activate or deactivate it by using the switch.



# TOUCHSCREEN MANUAL

Be familiar with vehicle features before attempting any operations.


## Current station store page serial number:

If the station being played has a serial number greater than 6, say the seventh station, because only five preset stations can be displayed per band, the current station will be stored on the second band, so the current position will be displayed FM2, and so on if you are playing the thirteenth station, the current position will be displayed FM3. There are 30 stations can be stored, and 6 stations per band.

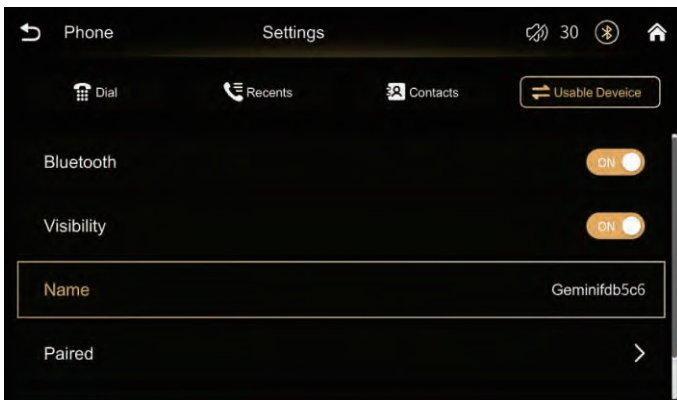
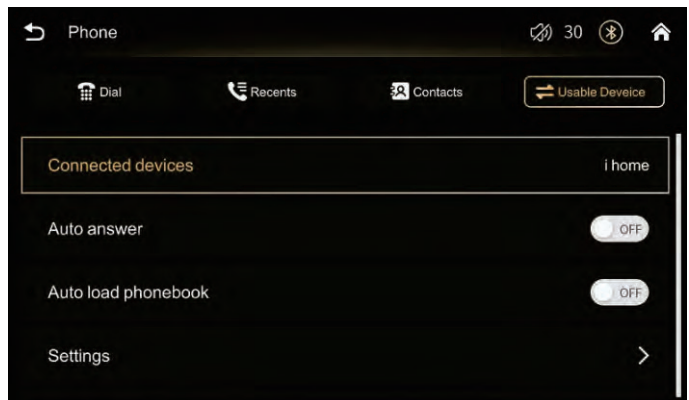
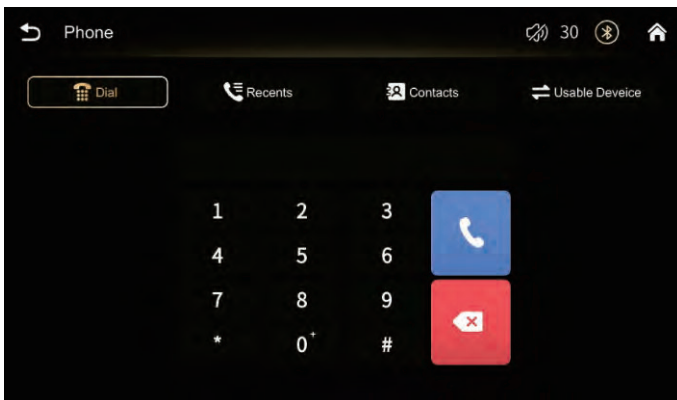
## Radio frequency fine-tuning:




  Press and hold these two keys are mainly used to fine-tune the current radio frequency so that the signal demodulation is more accurate and the sound is clearer. Sometimes the frequency selected by the automatic search function may not be accurate, and this function can make up for the slight deficiency of the automatic search function.

## Local first:

 This button will give preference to local stations and ignore non-local stations (which, in theory, will have a weaker signal).

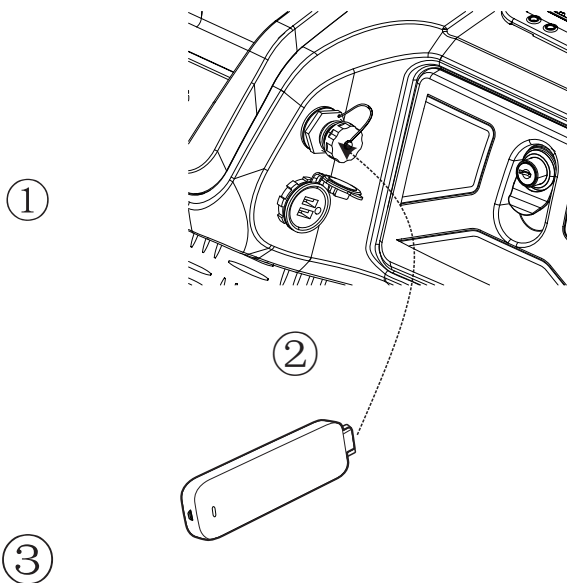
## 4.PHONE



Use the dial pad to enter the number you need to dial. Tap button  to delete the entered characters one by one. Press and hold Button  to continuously delete characters until all entered characters are deleted. Tap button  to dial the entered number. You can also check the Recents and Contacts.

Be familiar with vehicle features before attempting any operations.

## 5.USB



### Play your media (video&photo&music files).

**Step 1:** Copy the video & photo & music files into a USB flash drive.

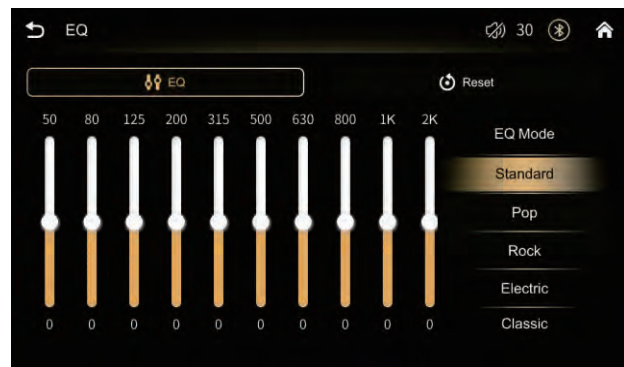
**Step 2:** Plug it to the touchscreen USB plug(PIC 2).

**Step 3:** Click on USB icon to get access to the file you want to play.

**Step 4:** If there is no flash drive plugged in , you can't open the USB page.

Be familiar with vehicle features before attempting any operations.

## 6.LED



## Change the LED light color.

**Step 1:** Go to "LED" menu.

**Step 2:** Click button to adjust the Horn LED mode, there are 8 kinds of color model: Red, Green, Blue, Yellow, Cyan, Purple, Gradient and with music. Also you can close the LED.

**Step 3:** Click icon to switch the light strip display mode.

**Step 4:** Press and hold icon can switch the rear strip display mode, it is the same color types as the LED light.

The audio light display consists of two parts: the ring light at the front and the long light strip at the rear. The light display modes can be changed by operating the positions shown on the touchscreen.

The following display modes are available for the front ring light and the rear strip light.

- ① Red: the light is constant red color.
- ② Blue: the light is constant blue color.
- ③ Yellow: the light is constant yellow color.
- ④ Green: the light is constant green color.
- ⑤ Cyan: the light is constant cyan color.
- ⑥ Grape: the light is constant grape color.
- ⑦ Rhythmic: the light has six colors cycling flashing.
- ⑧ The light does not light up.

The touchscreen displays the front ring light mode by default. Tap on the touchscreen icon to change the front ring light display mode. Press and hold the touchscreen icon to change the rear strip display mode.

**Note:** The display modes of the front ring light and the rear strip light are independent of each other, and can be toggled by long-pressing to switch the lights to the specified display mode.

Be familiar with vehicle features before attempting any operations.

## 7. CARPLAY

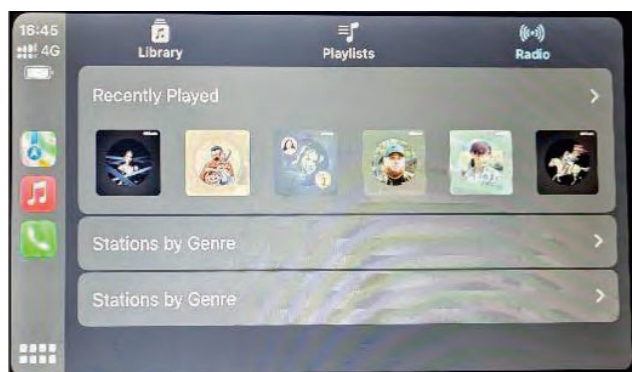
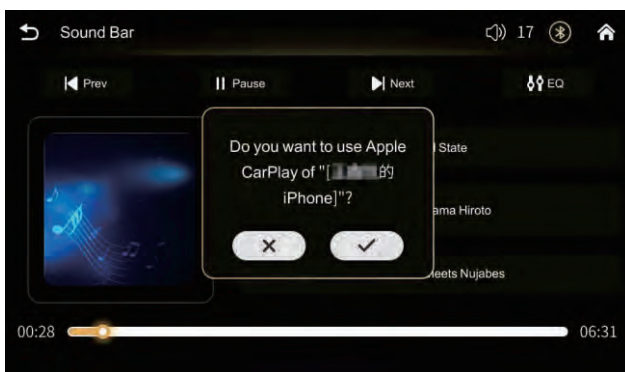
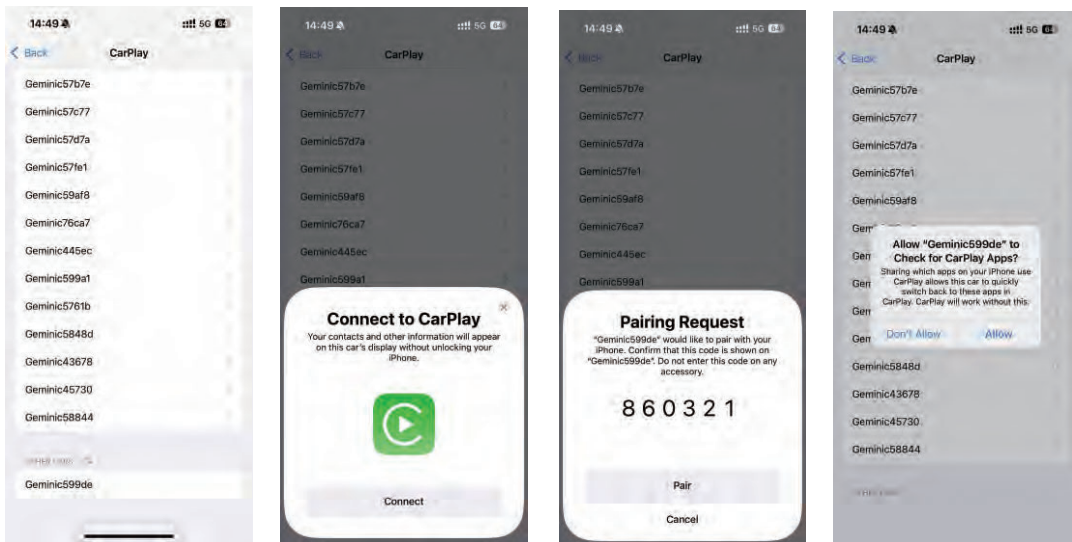
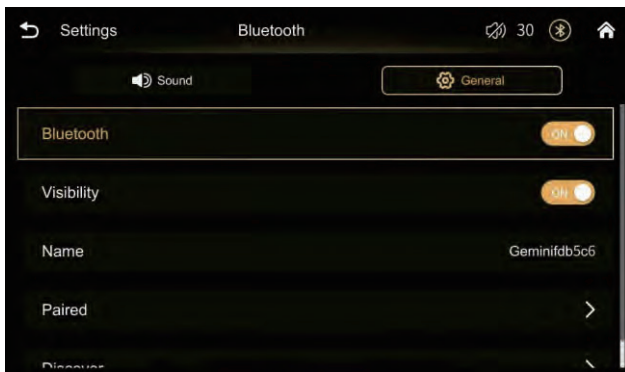
### Connect the 'Carplay' function

**Step 1:** Go to "Settings" menu.

**Step 2:** Open the 'Carplay' on your phone, and find the corresponding name 'GemicXXXXX' to connect.

**Step 3:** The matching code will appear on the screen.

**Step 4:** Allow the pairing request and use 'Carplay' function.



# TOUCHSCREEN MANUAL

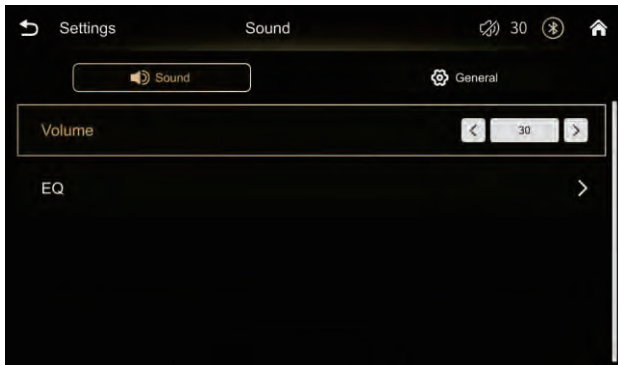
Be familiar with vehicle features before attempting any operations.

## 8.SETTINGS

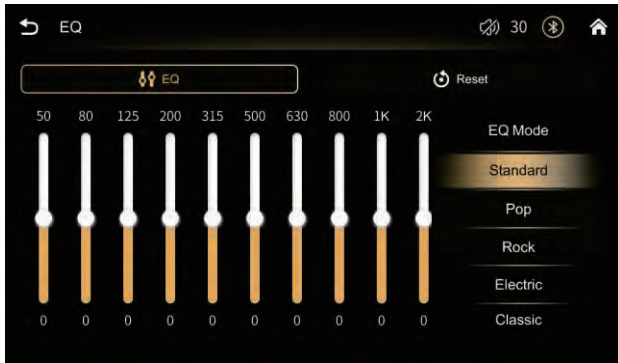


### SET UP SOUND.

**Step 1:** Go to "Settings" menu.



**Step 2:** Tap < > button to adjust the volume.

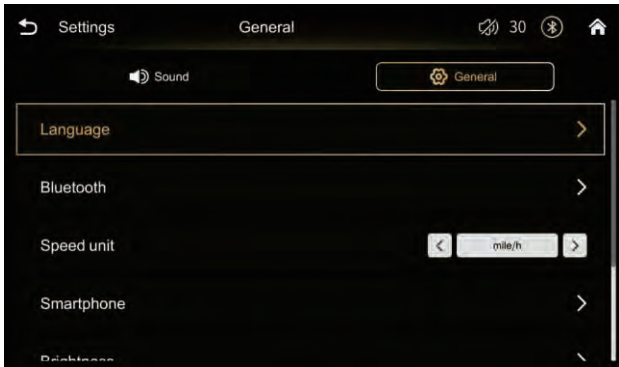


**Step 3:** Go to 'EQ' menu can adjust the music style what you want, See USB for details.

# TOUCHSCREEN MANUAL

Be familiar with vehicle features before attempting any operations.

## 8.SETTINGS

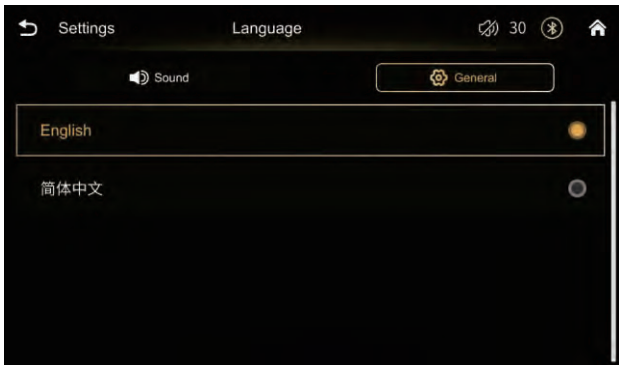


### CHANGE THE LANGUAGE.

**Step 1:** Go to "Settings" menu.

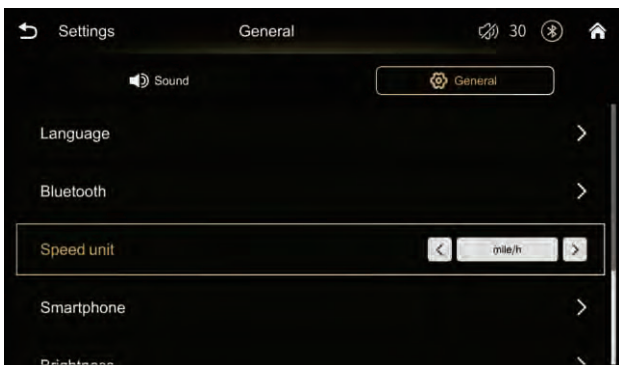
**Step 2:** Find Language setting under "General".

**Step 3 :** Go to 'Language' menu to choose English or Chinese



### NOTICE


SOME LANGUAGES MAY NOT BE AVAILABLE IN THIS TOUCHSCREEN DUE TO VERSION LIMITATION .

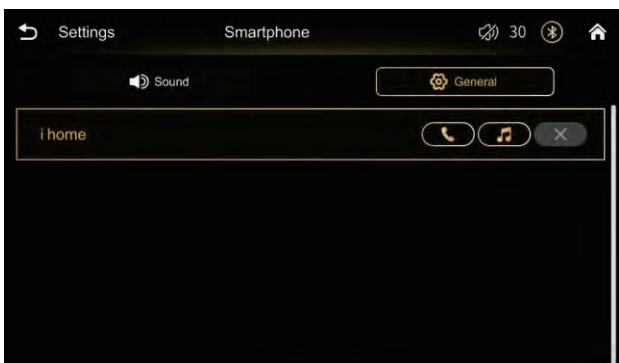


### CHANGE ROUTE UNIT BETWEEN MILES AND KM

**Step 1:** Go to "Settings" menu.

**Step 2:** Find speed unit setting under "General".

**Step 3 :** Click   button to change the unit (mile/h or km/h).



### SET YOUR SMARTPHONE

**Step 1:** Go to "Settings" menu.

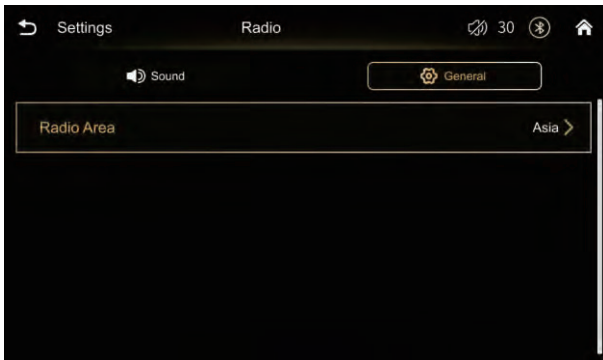
**Step 2:** Find smartphone unit setting under "General".

**Step 3 :** Check connected equipment, click the icon can turn on or turn off phone and music function freely, and remove device.

# TOUCHSCREEN MANUAL

Be familiar with vehicle features before attempting any operations.

## 8.SETTINGS

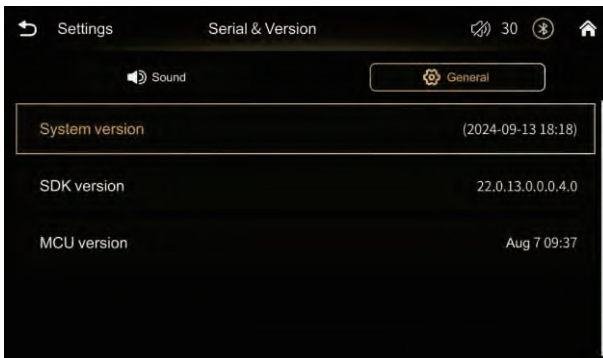


### SET RADIO.

**Step 1:** Go to "Settings" menu.

**Step 2:** Find radio setting under "General".

**Step 2:** Set the radio area.



### TOUCHSCREEN SYSTEM VERSION

**Step 1:** Go to "Setting" menu .

**Step 2:** Find serial & version setting under "General"

**Step 3:** Check out the system version info.

#### NOTICE

FOR IMPROVING THE CUSTOMER EXPERIENCE WITH THE TOUCHSCREEN NEWEST FIRMWARE MAY NEED TO BE UPDATED TIME TO TIME.

## 9.Program edit

- ① Prepare a blank USB flash drive.
- ② After storing the program on the USB flash drive, put the USB flash drive into the USB port of the touchscreen.
- ③ At this time, the program of the touchscreen will start to update automatically, and after the big screen shows the completion of the program update, remove the USB flash drive, the program will be updated.

# TOUCHSCREEN MANUAL

Be familiar with vehicle features before attempting any operations.

## 10.FAULT CODE



error code 001



**WARNING**

D5 model's touchscreen has functions to display vehicle fault codes.

Please do not operate the vehicle and immediately contact your dealer for assistance if the user notices a fault code displaying on the screen. This will help prevent potential malfunctions during driving that could lead to injuries to passengers.

Be familiar with vehicle features before attempting any operations.



## WARNING

Improper handling of batteries and electrical components can result in serious injury or death.

Do not remove the battery pack cover. Do not attempt to remove batteries or battery cables. Do not use the battery pack without the control module installed. All battery and electrical service must be performed by an authorized service facility and personnel.

All tools used in or around the battery pack area should be insulated. Do not intentionally cause a short to the power terminal (B+, B-) with a metallic object.

Do not cut, tear or remove the seal tape. Do not disassemble or modify the design, including the electrical circuit, of the battery pack or control module.

To prevent the risk of battery explosion, keep all flammable materials, open flames or sparks away from the batteries. Do not leave the battery pack near a fire or heat source. Do not throw Lithium-Ion batteries into a fire. Do not apply heat to any part of the battery pack or battery management module with a soldering iron. Do not place the battery pack in a microwave oven, dryer or high-pressure container.

Do not attempt to operate the vehicle or charge the battery pack at temperatures above 140°F (60°C).

Do not immerse or throw the battery pack in water. Do not pressure wash the battery pack.

Do not puncture the battery pack or control module. Do not strike the battery pack with a hammer or heavy weight. Do not step or stand on the battery pack. Do not throw or drop the battery pack on hard surfaces.

If the battery pack terminals are contaminated or dirty, clean them with a dry cloth before using the battery pack.

Keep the battery pack and control module away from static electricity.

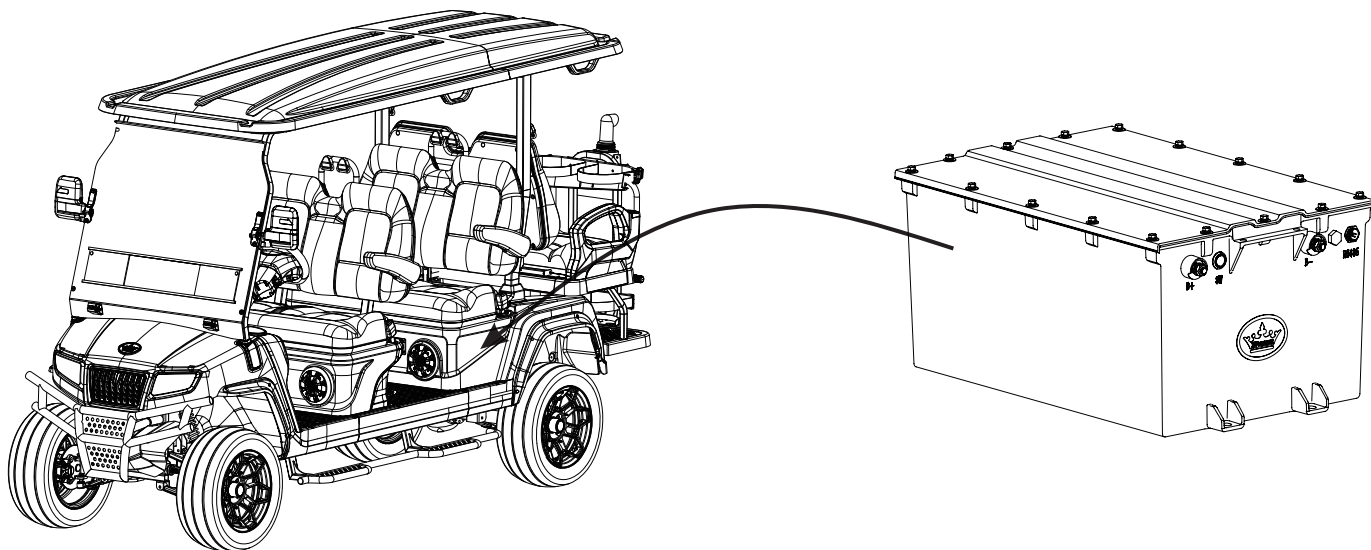
## NOTICE

INCORRECT STORAGE CAN CAUSE BATTERY DAMAGE, PERMANENT LOSS OF BATTERY CAPACITY, OR CAUSE THE BATTERY TO BE UNSERVICEABLE. A FULLY DISCHARGED BATTERY PUT IN STORAGE WILL MAKE THE BATTERY PERMANENTLY UNSERVICEABLE. PUT THE BATTERY ON CHARGE DURING EXTENDED STORAGE. DO NOT EXCEED THE STORAGE TEMPERATURE LIMITS. DO NOT PUT A FULLY DISCHARGED BATTERY IN STORAGE. INCORRECT STORAGE WILL VOID THE BATTERY WARRANTY.

# BATTERY CHARGER

Be familiar with vehicle features before attempting any operations.

## LITHIUM BATTERY



The lithium iron phosphate battery (LiFePO<sub>4</sub> or LFP) is the safest of the mainstream lithium battery types. A single LFP cell has a nominal voltage of 3.2V.

LFP is the chemistry of choice for very demanding applications. Some of its features are:

- Rugged - It can operate in deficit mode during long periods of time.
- High round trip efficiency.
- High energy density - More capacity with less weight and volume.
- High charge and discharge currents - Fast charge and discharges are possible.
- Flexible charge voltages.

The battery is equipped with Bluetooth and uses this to communicate with the BMS app. The BMS app is used for reading out battery information, receiving alarms., etc.



# BATTERY CHARGER

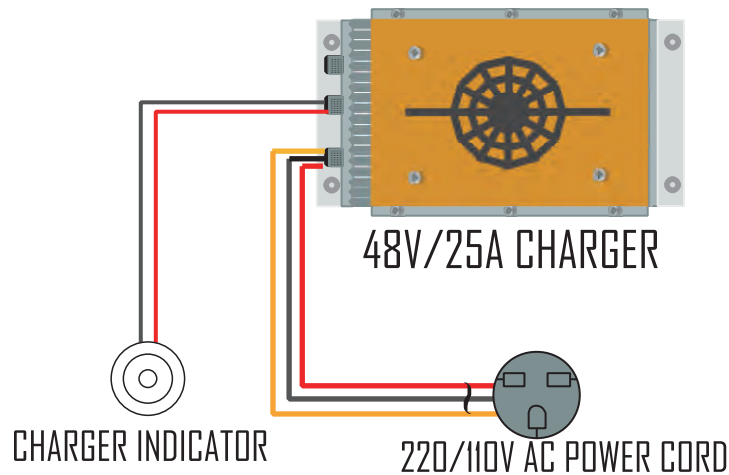
Be familiar with vehicle features before attempting any operations.

## .BATTERY CHARGER



INCORRECT CONNECTION OF THE AC CORD CAN CAUSE A FIRE OR AN ELECTRICAL SHOCK. DO NOT USE AN ADAPTER TO CONNECT THE AC CORD INTO A TWO-PRONG POWER SOURCE. CONNECT THE AC CORD TO AN APPROVED POWER SOURCE. CONNECTION OF THE AC CORD TO AN INCORRECT RECEPTACLE CAN CAUSE A FIRE, ELECTRICAL SHOCK, PROPERTY DAMAGE, SERIOUS PERSONAL INJURY, OR DEATH. CONNECT THE AC CORD TO AN APPROVED POWER SOURCE AND RECEPTACLE. DO NOT LET THE BATTERY CHARGER BECOME WET. KEEP THE BATTERY CHARGER DRY.

## CHARGER SPECIFICATION



Battery pack rated voltage	48V
Maximum charger output	68V
AC input voltage range	85-270VAC, 45-65Hz
AC input current value	11.5A@120VAC, 6.1A@220VAC
Power factor	0.99
Charger efficiency	95%
Noise	45dB
IP Class	IP67
Weight	9.3lb (4.2kg)
Charge temperature range	32°F to 110°F (0°C to 45 °C)
Dicharge temperature range	-4°F to 140°F (-20°C to 55 °C)
Storage temperature range	-4°F to 113°F(1 month) (-20°C to 45 °C) 32°F to 95°F(1 year) (0°C to 35 °C)

# BATTERY CHARGER

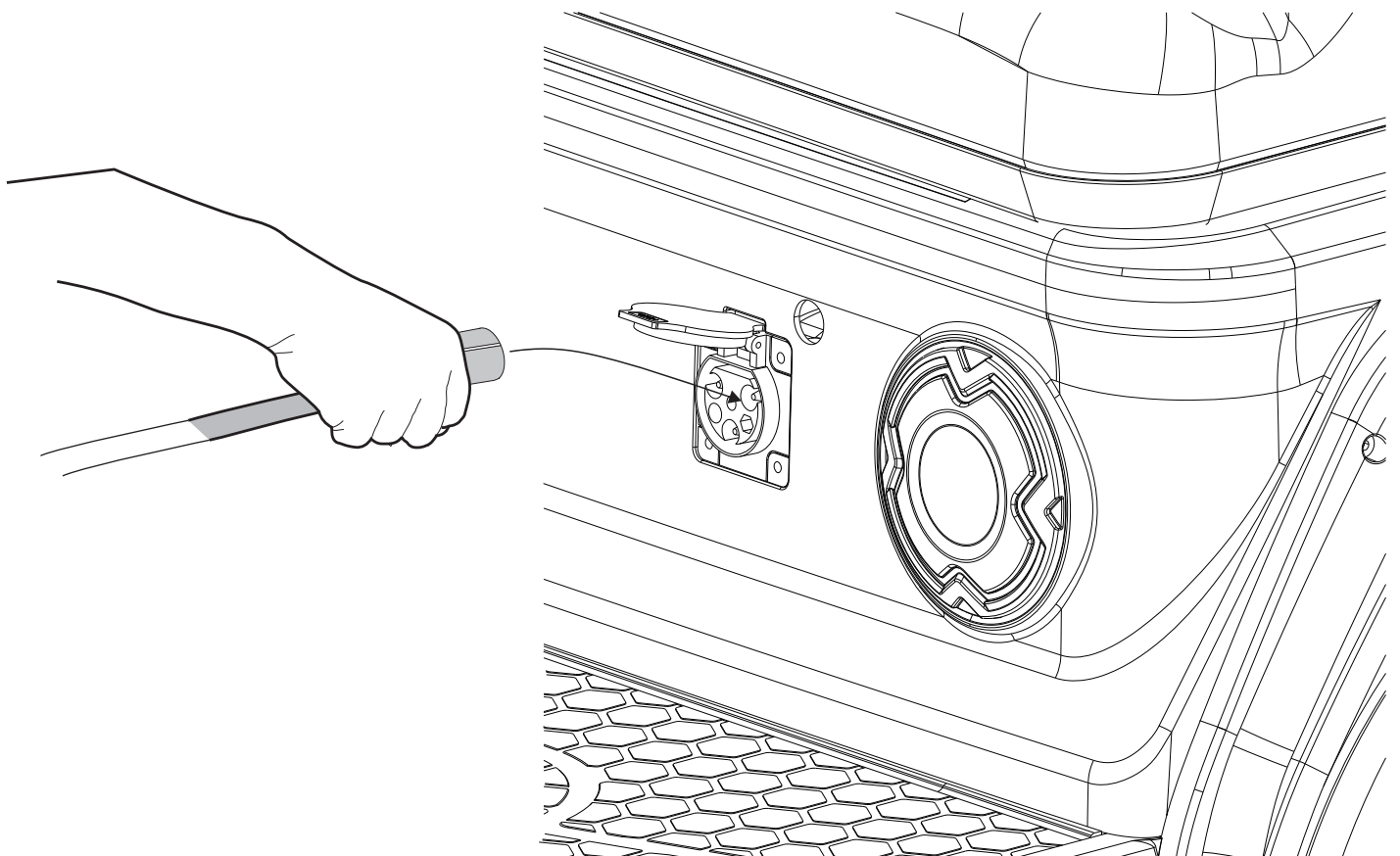
Be familiar with vehicle features before attempting any operations.

## HOW TO USE CHARGER

### WARNING

TO DECREASE THE POSSIBILITY OF ELECTRICAL SHOCK OR ELECTROCUTION, MAKE SURE THE CHARGER PLUG IS NOT DAMAGED. THE POWER AC CORD HAS A PLUG WITH GROUND POST. DO NOT MOVE, CUT OR BEND THE GROUND POST.

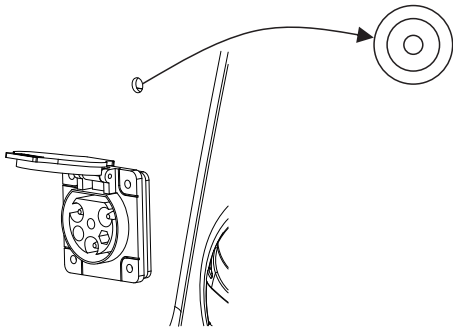
1. Inspect the charger cord to check if there is broken or damaged on the power AC cord and cable. Replace the broken AC power cord.
2. Plug the AC charge handle into the vehicle receptacle completely.
3. Plug the Power AC cord into the ground power completely.
4. The charger will automatically start in several seconds after plugging in the AC power cord.
5. The charger will automatically stop when the batteries are fully charged.
- 6- Remove the AC charge cord before operating the vehicle.






# BATTERY CHARGER





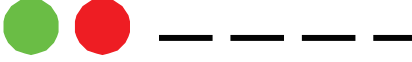



Be familiar with vehicle features before attempting any operations.

## CHARGER LED DISPLAY



LED LIGHTS	INDICATION
 Red LED light flashing	Charging
 Solid Green light	Charge completely
 Red and Green light flash in order	Refer to the troubleshooting table

## LED FAULT CODES

Flashes (  " means pause 1s )	Cause	Solution
	No load	Check if these happen: the connection of battery and charger is loose, the battery defective, or the battery voltage is too low.
	Over voltage or over current	If the error opens again after restart, return it to factory repair.
	The ambient temperature is too high or too low	Please check if the ambient temperature is too high and if ventilation is good and the position of battery temperature sensor.
	Charger overheating	Please check whether ambient temperature is too high and if ventilation is good.
	Output Under- Voltage	Please return it to the factory. Replace new charger
	Input AC abnormality	Please check the input voltage and the plug poor contact.
	Anyone of the above-mentioned faults repeats five times, then it appears.	Re-up electricity, match the indicator state to the above-mentioned faults then get the corresponding solution.

Be familiar with vehicle features before attempting any operations.

## WHEELS & TIRES

### WARNING

**DO NOT OVER INFLATE THE TIRES. EXCESS PRESSURE CAN CAUSE THE TIRE EXPLODE.**

**TO DECREASE THE RISK OF TIRE EXPLOSION, ADD SMALL AMOUNTS OF AIR TO THE TIRE AT INTERVALS TO SEAT THE TIRE BEADS. OVER INFLATION OF SMALL TIRES CAN OCCURS IN A FEW SECONDS.**

**PROTECT FACE AND EYES WHEN REMOVING THE TIRE VALVE CORE.**

**USE ONLY SOCKETS MADE FOR IMPACT WRENCHES TO DECREASE THE RISK OF INJURY CAUSED BY A BROKEN SOCKET.**

**DO NOT USE TIRES THAT HAVE INFLATION PRESSURE LESS THAN THE TIRE PRESSURE RECOMMENDED.**

Always follow the cross-sequence pattern when you install the lug nuts to make sure the wheel is evenly seated against the hub.

### NOTICE

#### Tools list

Lug Wrench, M19.....	1
Impact Wrench.....	1
Impact Socket, M19.....	1
Torque Wrench.....	1

The general recommended tire inflation pressure is 22 psi, but the tire inflation pressure can be changed according to the specific terrain condition.

All four tires must have the same pressure for the best control qualities. Always put the valve stem cap back after checking or inflate the tires.

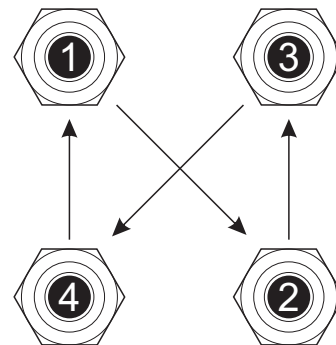
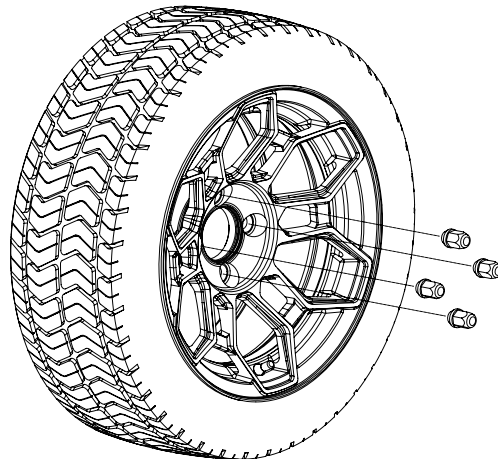
Use a tire plug to repair small holes in the thread part of the tires. For large holes or cuts, replace the whole tire.

>With the valve stem to the outside of wheel, install the wheel&tire on the hub with lug nuts.

>Tighten the lug nuts with your fingers in the cross sequence patten as shown.

>Tighten the lug nuts to 50-85 ft.lbs torque.

>Continue to follow the cross sequence patten until the correct torque is reached.



**Cross Sequence**

# VEHICLE MAINTENANCE

Be familiar with vehicle features before attempting any operations.

## CHARGER MAINTENANCE



### WARNING

**IF THE PLUG PINS ARE BENT, SPEAK WITH YOUR LOCAL DEALER OR DISTRIBUTOR FOR REPLACING. DO NOT TRY TO REPAIR THE AC CORD PLUG OR PINS.**

#### ELECTRICAL CORDS

Examine electrical cords for wear and damage before use. Immediately replace electrical cords for:

- Cracks
- Cuts
- Frayed wiring
- Insulation damage
- Loose connections
- Splices

#### ELECTRICAL PLUGS AND RECEPTACLES

Examine electrical plugs for wear and damage before use. Immediately replace electrical plugs for:

- Bent pins
- Corrosion
- Cracks
- Loose connections
- Missing pins

#### CLEAN THE ELECTRICAL PLUGS AND RECEPTACLES

1. Disconnect the AC cord from the power source.
2. Disconnect the AC cord from the battery charger.
3. Disconnect the DC cord from the vehicle charger receptacle.
4. Apply electrical contact cleaner to the electrical plugs and receptacles. Refer to the manufacturer instructions.
5. Clean the electrical plugs and receptacles.
6. Lightly lubricate the electrical plugs and receptacles with WD-40®.

Be familiar with vehicle features before attempting any operations.

## VEHICLE MAINTENANCE

### WARNING

UNINTENDED VEHICLE OPERATION CAN CAUSE SERIOUS PERSONAL INJURY OR DEATH. BEFORE LEAVING THE VEHICLE OR DURING VEHICLE MAINTENANCE, DISABLE THE VEHICLE.

ONLY TRAINED TECHNICIANS SHOULD SERVICE OR REPAIR THE VEHICLE. ANYONE DOING EVEN SIMPLE REPAIRS OR SERVICE SHOULD HAVE KNOWLEDGE AND EXPERIENCE IN ELECTRICAL AND MECHANICAL REPAIR. THE APPROPRIATE INSTRUCTIONS MUST BE USED WHEN PERFORMING MAINTENANCE, SERVICE, OR ACCESSORY INSTALLATION. FAILURE TO CORRECTLY MAINTAIN THE VEHICLE AND MAKE NECESSARY REPAIRS CAN DECREASE VEHICLE PERFORMANCE, CAUSE A FIRE, PROPERTY DAMAGE, SERIOUS PERSONAL INJURY, OR DEATH. IF PROBLEMS ARE FOUND DURING SCHEDULED INSPECTION OR SERVICE, OPERATE THE VEHICLE ONLY WHEN REPAIRS ARE MADE.

DO NOT WORK ON THE VEHICLE POWER TRAIN WHEN THE VEHICLE IS LOADED.

DO NOT WEAR LOOSE CLOTHING OR JEWELRY SUCH AS RINGS, WATCHES, CHAINS, ETC., WHEN SERVICING THE VEHICLE OR BATTERY CHARGER. LIFT ONLY ONE END OF THE VEHICLE AT A TIME. USE A SUITABLE LIFTING DEVICE WITH 1000 LB (454 KG) MINIMUM LIFTING CAPACITY. DO NOT USE THE LIFTING DEVICE TO HOLD THE VEHICLE IN THE LIFTED POSITION. USE APPROVED JACK STANDS OF PROPER WEIGHT CAPACITY TO SUPPORT THE VEHICLE AND CHOCK THE WHEELS THAT REMAIN ON THE FLOOR.

IF WIRES ARE REMOVED OR REPLACED, MAKE SURE THAT THE WIRING AND WIRE HARNESS ARE CORRECTLY ROUTED AND ATTACHED. FAILURE TO CORRECTLY ROUTE AND ATTACH THE WIRING COULD RESULT IN VEHICLE MALFUNCTION, PROPERTY DAMAGE, SERIOUS PERSONAL INJURY, OR DEATH.

### CAUTION

WEAR SAFETY GLASSES OR APPROVED EYE PROTECTION WHEN YOU DO THE SERVICING OF THE VEHICLE. WEAR RUBBER GLOVES WHEN NEAR THE BATTERY.

# LIFT AND LOWER THE VEHICLE

Be familiar with vehicle features before attempting any operations.

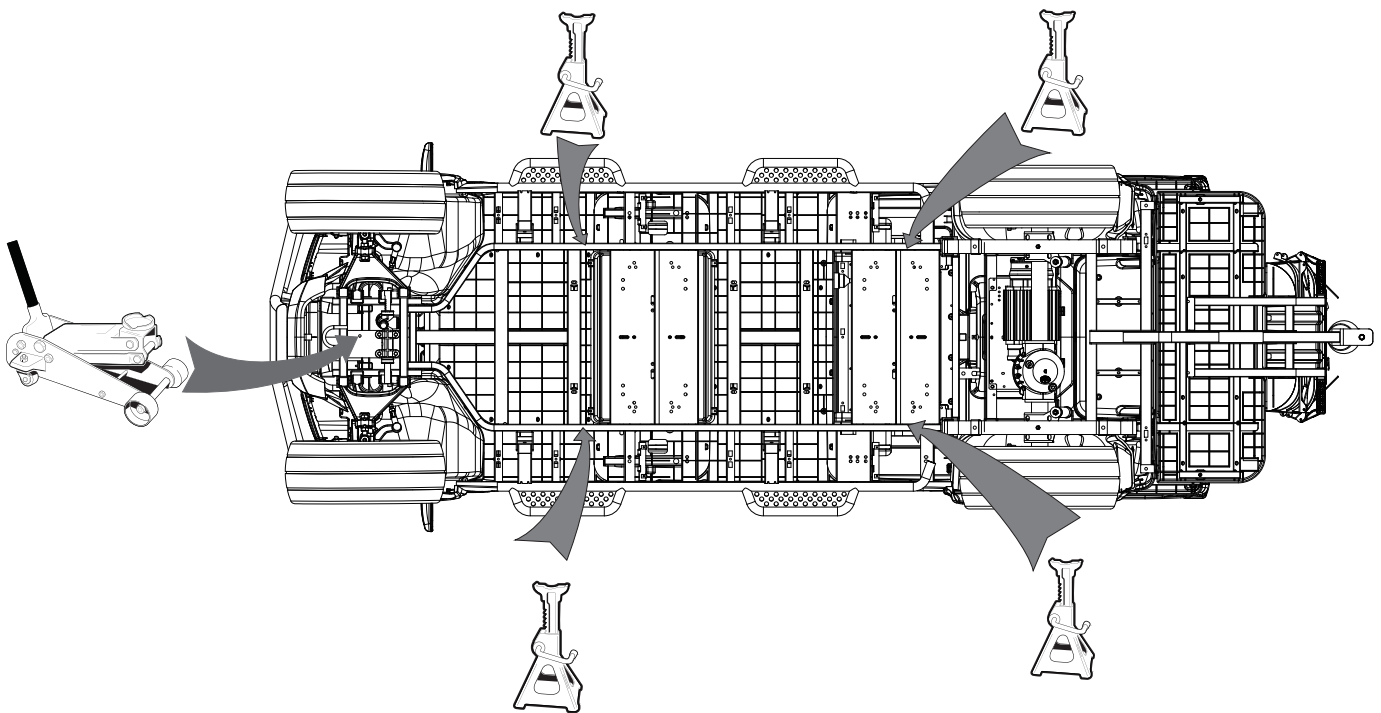
## LIFT AND LOWER THE VEHICLE



**LIFTING AND LOWER THE VEHICLE WITH CARGO CAN CAUSE PROPERTY DAMAGED, SERIOUS PERSONAL INJURY, OR DEATH. REMOVE ALL CARGO AND HAVE THE PERSON OUT FROM THE VEHICLE BEFORE THE VEHICLE IS LIFTED.**

### Steps For Lifting The Vehicle:

- > Before the vehicle is lifted, turn off key switch of the vehicle.
- > Choose the jacks and jack stands rated for the vehicle.
- > Engage the parking brake.
- > Place the jack in the center of the lift point.
- > Lift the front and rear of the vehicle.
- > Put the Jack stands under the frame rails.
- > Lower the vehicle onto the jack stands.



### Steps For Lower The Vehicle:

- > Before the vehicle is lowered, turn off key switch of the vehicle.
- > Choose the jacks and jack stands rated for the vehicle.
- > Place the jack in the center of the lift point.
- > Lift the vehicle off from the jack stands.
- > Remove the Jack stands under the frame rails.
- > Lower the vehicle on the ground.
- > Remove the Jacks.

# VEHICLE MAINTENANCE

Be familiar with vehicle features before attempting any operations.

## VEHICLE SCHEDULED MAINTENANCE CHART

Regular maintenance is required for the best performance and safe operation of the electric vehicle . Periodic maintenance need to perform accordingly .

1D-per day 1W-per week 1M-per month 1Q-per quarter 1Y-per year		1D	1W	1M	1Q	1Y
Item	Descriptions					
Battery	1.Check the damages may occur on battery surface .		v			
	2.Charge the battery .	v				
	3.Tighten the nut on the battery cable .	v				
	4. Fasten the nut of the battery terminal .		v			
	5.Check whether the battery is over-charged .	v				
	6.Check the SOH (state of health) of the battery .		v			
	7.Check whether the battery is fully charged .	v				
	8.Clean the surface of battery .		v			
Charger	9.Observe the charging status, check if the charger plug becomes hot.	v				
	10.Clean the surface of charger . Do not let water enter into charger .		v			
Motor and controller	11.Check whether all terminals are tightened properly(Turn off the power).			v		
	12.Clean the surface of the controller.				v	
	13.Check whether the solenoid is in order, checking the touching point.					v
	14.Check whether there is water get into motor.	v				
	15.Check whether all the connectors of motor & controller are tightened		v			
	16. Check whether the accelerator pedal works well .	v				
Chassis and body	17.Check whether the brake pedal is firm and can be released freely .			v		
	18.Check whether the brake drum and brake shoe need to be replaced or not				v	
	19.Check the hand break function.			v		
	20.Check the break liquid tank liquid level .			v		
	21.Check tire pressure and tire surface .		v			
	22.Check Whether the shock is leaking or not .			v		
	23.Fasten the bolt of shaft .			v		
	24.Check whether there is sufficient oil inside of rear axle gear box .				v	
	25.Add grease to front hub and steering gear box .				v	
	26. Adjust the front and rear suspension .				v	
	27.Clean the body and seat .	v				

### NOTICE

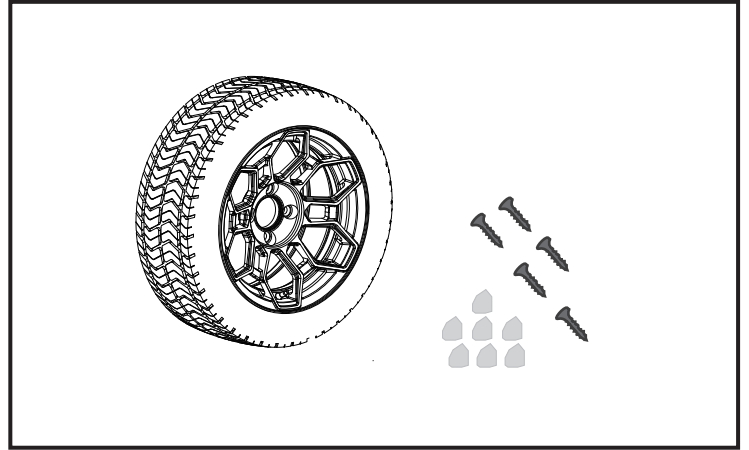
The Maintenance Service Schedule must be done more frequently on vehicles that are constantly subjected to heavy use or severe operating conditions.

# VEHICLE MAINTENANCE

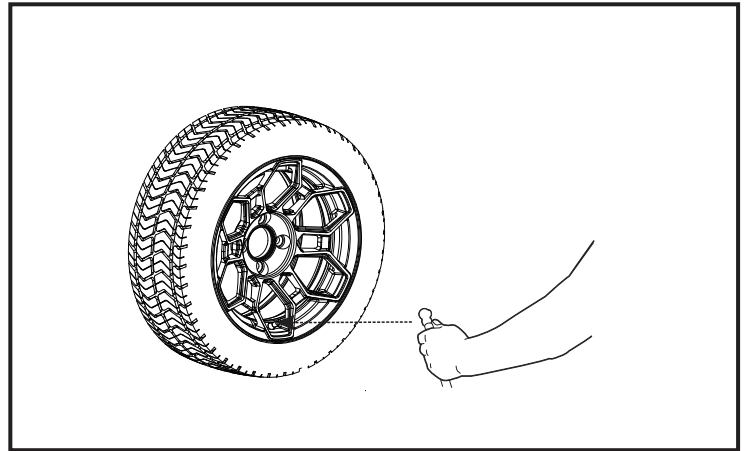
Be familiar with vehicle features before attempting any operations.

## CHASSIS MAINTENANCE

Check the tires every time one uses the vehicle, remove embedded objects or metal items away from tire surface. If the tire have embedded objects on surface, it will lead to excessive noises from tire while driving or tire air leakage.



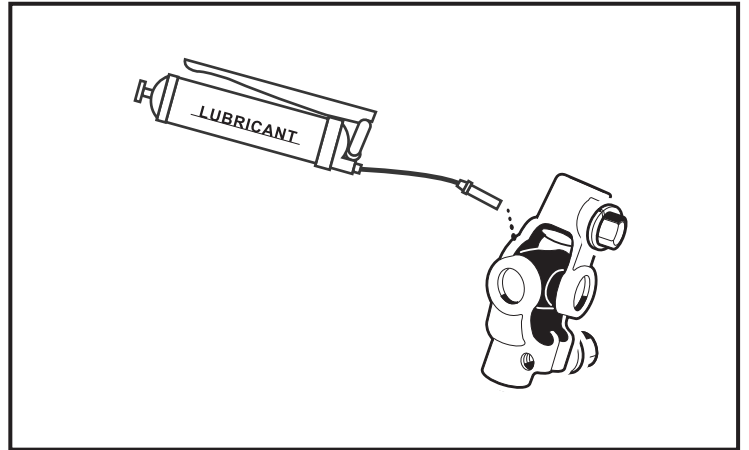
Check the tires every time one uses the vehicle. the tires should be inflated with sufficient air. The air pressure should with normal level . Check the tire chapter for more specific information of tire inflation.



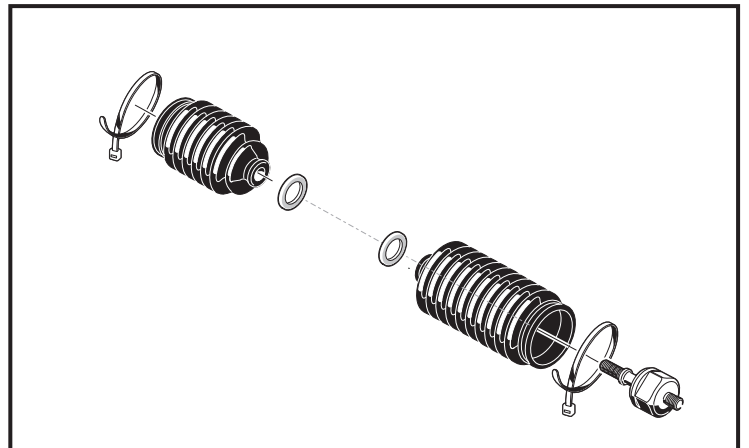
 **DANGER**

FLAT TIRE MAY CAUSE UNSTABLE STEERING FUNCTION WHILE DRIVING.

Add lubricant to mechanical joint parts , the vehicle should be kept in good turning and operating functions. To acquire that one should add lubricant to needed parts every one month.



Check the dust-proof cover on steering gear box, the covers are supposed to be tightened on the two terminal ends . Loose cover will let water and dust into the gear box, cause the gears rusting .

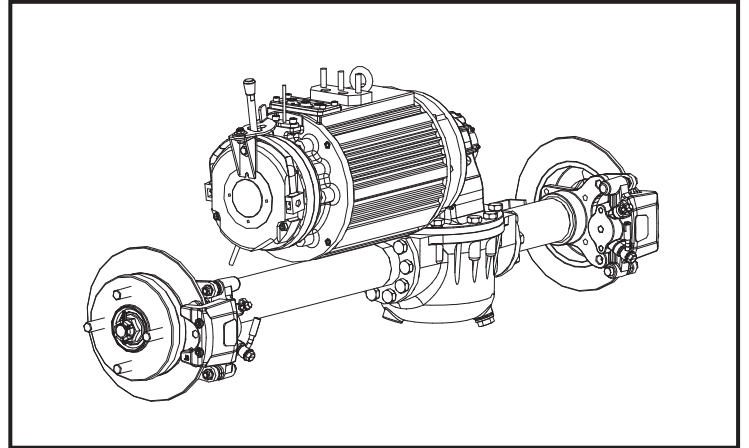


Be familiar with vehicle features before attempting any operations.

Check the gear oil capacity of rear axle.

 CAUTION

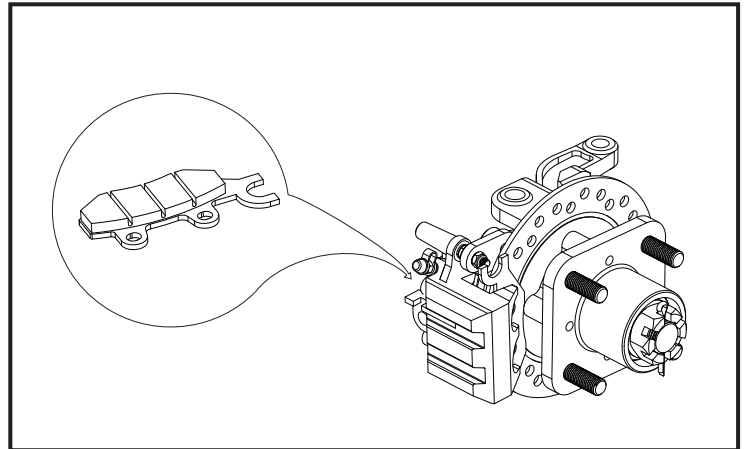
Low gear oil capacity may cause damages to rear axle cams or excessive noises.



Check the brake shoes worn out conditions, if it is extremely worn out(1/3 left) ,then the brake shoes need to be replaced with a new one.

 DANGER

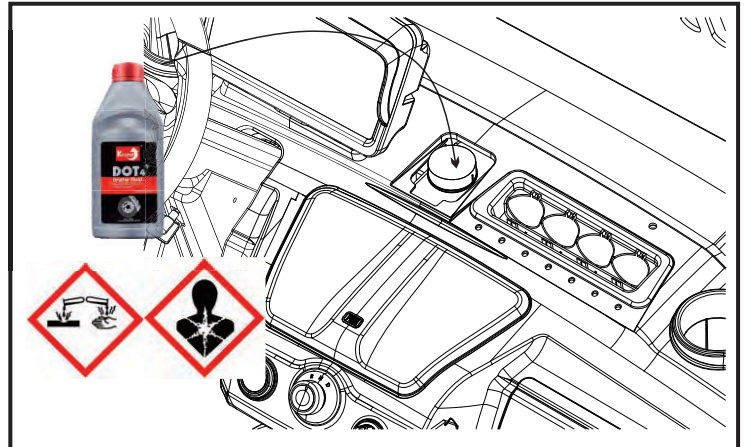
Do not drive the vehicle with poor brakes.



Check the brake fluid level(The oil tank located inside the front trunk, remove the rubber pad to get access to it) , make sure the brake fluid is sufficient and clean without foreign objects mixed in the fluid.

 DANGER

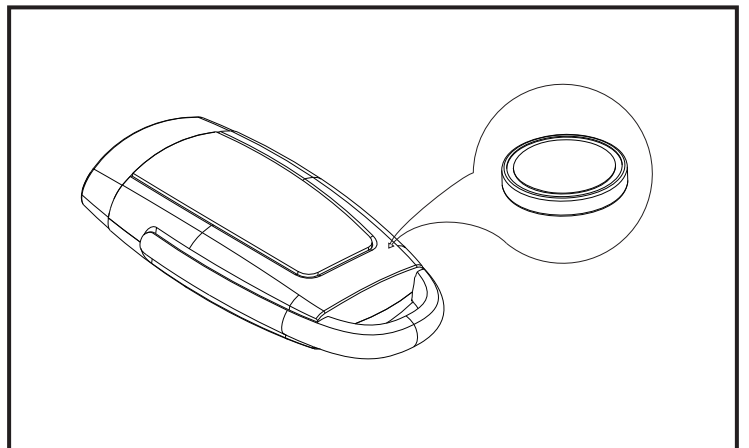
Do not drive the vehicle with insufficient brake fluid.



Change the button cell battery every 1-2 years(remove the 4 bolts on the key FOB to dismantle the covers to access the button cell battery) .

 CAUTION

Do not throw battery in fire.



# VEHICLE MAINTENANCE

Be familiar with vehicle features before attempting any operations.

## VEHICLE MAINTENANCE



### WARNING

**MOISTURE CAN CAUSE ELECTRICAL COMPONENT DAMAGE. DO NOT USE A PRESSURE WASHER OR STEAM CLEANER TO CLEAN THE VEHICLE ELECTRICAL SYSTEM. OTHERWISE IT WILL CAUSE ELECTRICAL FAILURE PERMANENTLY.**

#### **Pre-operation before cleaning the vehicle:**

1. Move the vehicle on a solid flat ground.
  2. Apply the parking brake.
  3. Turn the key switch to OFF
  4. Remove the key.
  5. Set the R/N/D switch to N.
- Use only commercially available automotive cleaners with a sponge or soft cloth for normal cleaning. A garden hose at normal residential water pressure is sufficient.
  - Use a commercially available aluminum cleaner paste and fine grade (No. 00) steel wool to remove oxidation or discoloration from aluminum.
  - Use non-abrasive wax products. Fertilizers, asphalt, creosote, paint, or chewing gum should be removed immediately to prevent possible stains.
  - The seats of the vehicle will last longer with proper cleaning. Use a solution of 10% liquid soap and warm water applied with a soft cloth. Use a soft bristle brush to remove embedded dirt.
  - Use mild soapy water and a micro-fiber cloth to clean the windshield to minimize the risk of scratching. Avoid using glass cleaners or paper towels as these increase the chances of scratching or scuffing the windshield.

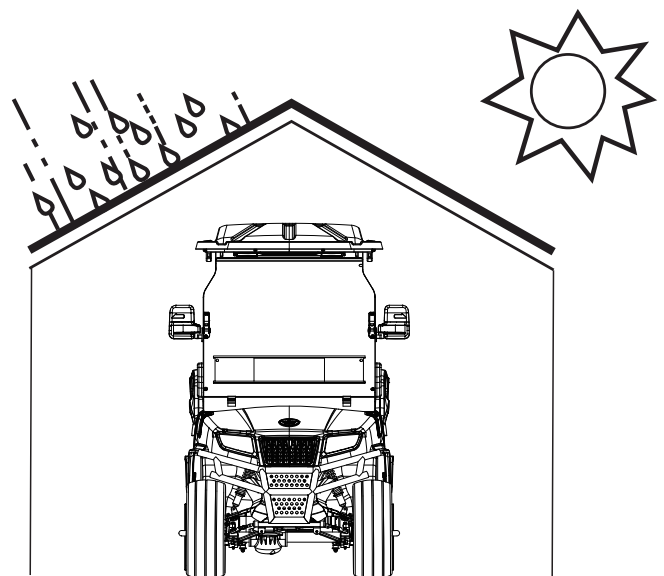
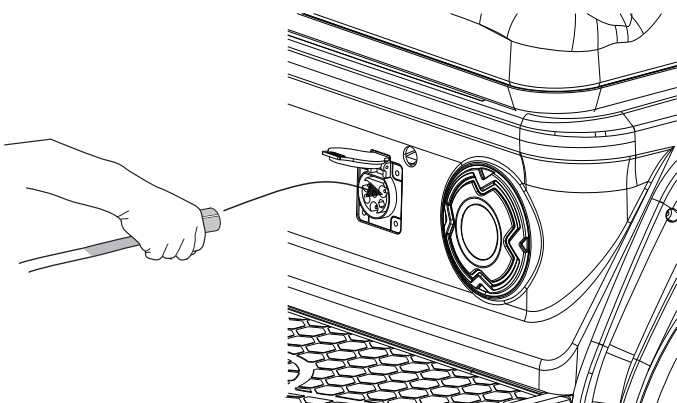
Be familiar with vehicle features before attempting any operations.

## **JOBS TO BE DONE PRIOR TO THE STORAGE**

- >Put golf cart under shelter, keep the golf cart in dry and ventilated space. Optimal temperature 14°F to 95°F (-10°C to 35°C) . Maximum storage temperature should not be higher than 122 °F (50°C).
- >Turn the key switch to the OFF position, remove the key and leave the forward/reverse switch in the NEUTRAL position during storage.
- >Power down all accessories.
- >Clean the battery packs, tops and terminals using a battery acid neutralizer (1 cup baking soda per 1 gallon water). Check, clean and treat battery terminal connections with a battery terminal protector spray.
- >Disconnect batteries per ensuring that the cables do not come into contact with a terminal (Disconnect the 48V Main power outlet cables from battery pack, insulate the cable).
- >Connect Battery cables back to system, charge the battery to full state every 1-3 months to keep battery alive without damages caused by over-discharging.
- >Perform all semi-Annual Lubrications.
- >Thoroughly clean the front and rear body, seats, battery compartment and underside of the vehicle.
- >DO NOT engage the park brakes, but secure the golf cart from rolling. Chock the wheels with wheel stopper or something similar .
- >Check Tire pressure and inflate the tires to standard pressure level as values presented on tires.
- >Thoroughly clean the front and rear body, seats, battery compartment and underside of the vehicle.

## **BRING THE VEHICLE BACK TO SERVICE FROM STORAGE**

1. Fully charge the battery.
2. Set the R/N/D switch to N.
3. Adjust the pressure in each tire to the recommended tire pressure.
4. Have a trained technician lubricate the vehicle.
5. Do a daily pre-operation safety checklist.
6. Do a vehicle performance inspection.



# VEHICLE MAINTENANCE

Be familiar with vehicle features before attempting any operations.

## VEHICLE TRANSPORTATION AND TOWING

### WARNING

DO NOT RIDE ON OR ALLOW OTHER PEOPLE ON A VEHICLE BEING TRANSPORTED ON A TRAILER OR BEING TOWED WITH ANOTHER VEHICLE.  
DO NOT CARRY PASSENGERS ON GOLF CART WHILE TOWING THE VEHICLE.  
APPLY BRAKE TO LIMIT SPEED WHEN COMMIT SHARP TURNS.  
APPLY BRAKE TO LIMIT SPEED WHEN TOW THE GOLF CART ON UNEVEN TERRAIN.  
TURN ON THE HAZARD LIGHTS IF VEHICLE WAS CONFIGURED WITH.  
SECURE THE SEATS/WHINSHIELD /OTHER LOOSE ITEMS BEFORE TOWING GOLF CART.  
DO NOT TOW MULTIPLE GOLF CARTS IN SERIES FORMATION.  
DO NOT TOW THE GOLF CART ON HIGHWAY ROADS.  
ABORT TOWING WHEN ABNORMAL PHENOMENONS BEING DETECTED.

**The following steps can help you to tow an EVOLUTION golf cart safely without any damage.**

Turn off the power switch.

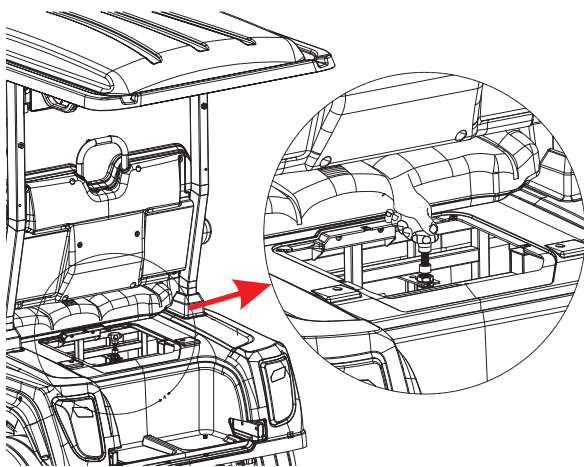
Keep the R/N/D switch in a N position.

If you need to tow the golf cart for long distance ,remove the battery connections from battery pack terminals. This is done to ensure that the Rear axle/Motor/Controller/Batteries do not get damaged during the towing process.

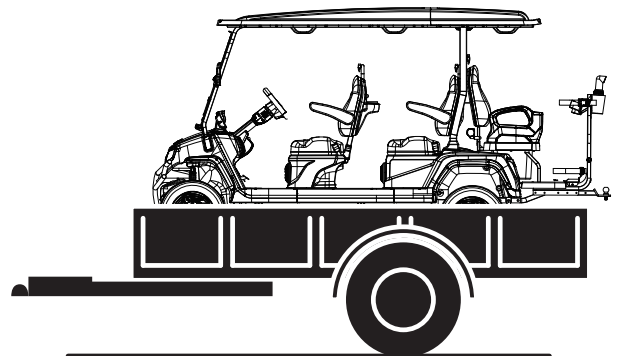
Move the golf cart at a slower speed (Optimally Between 5-15MPH )or the same speed that you would generally move it if it has power. Exceeding the speed limit can over-spin the motor and ruin it.

Pulling your golf cart faster than designed to go can over-spin the motor. Possible slinging the internal parts into pieces and ruining the motor.

**Unlock the EM brake** on your golf cart motor, make sure **unlock it mechanically before towing the golf cart.**



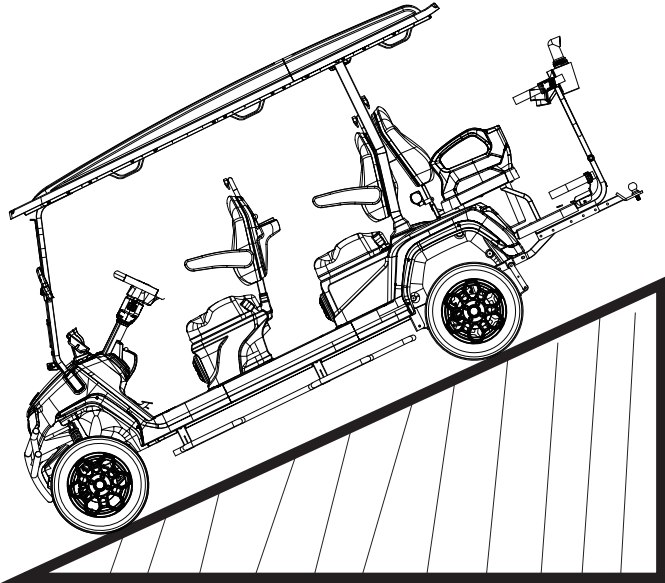
**UNLOCK EM BRAKE**



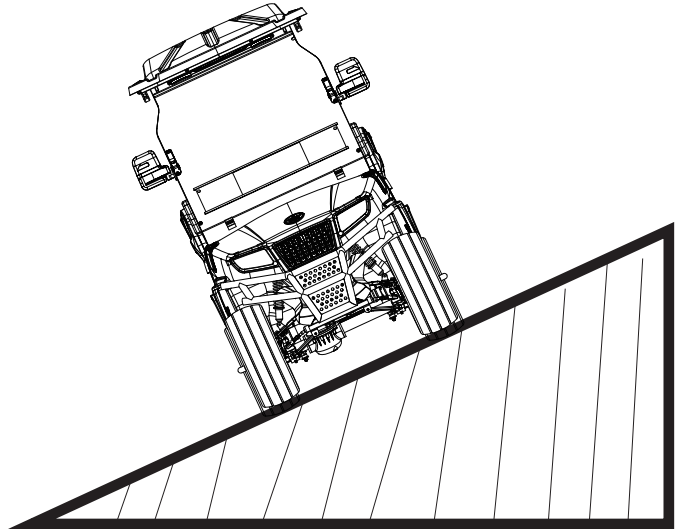
# VEHICLE GENERAL SPECIFICATION

Be familiar with vehicle features before attempting any operations.

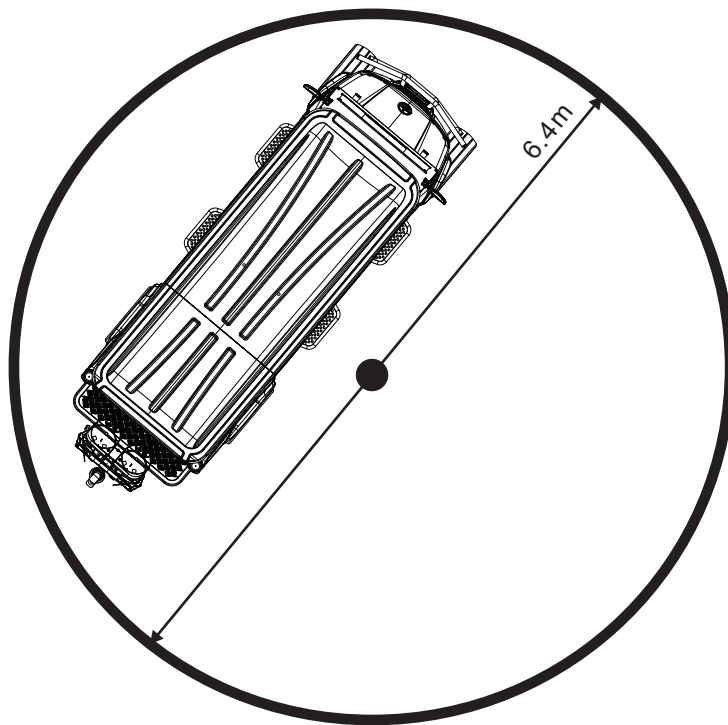
## VEHICLE GENERAL SPECIFICATIONS



**Recommended Max Ramp  
25% Grade**



**Recommended Max Side Tilt  
25% Grade**



**Vehicle Turning Clearance Diameter**





# HDK PLASTIC FACTORY LTD USA

2620 Palisades Drive, Corona CA 92882

Effective 1/1/2020

## WARRANTY REGISTRATION FORM

### CUSTOMER INFORMATION

Date of Purchase: \_\_\_\_\_ Customer Name: \_\_\_\_\_

Customer Address: \_\_\_\_\_

City: \_\_\_\_\_ State: \_\_\_\_\_ Zip: \_\_\_\_\_

### VEHICLE INFORMATION

Serial #: \_\_\_\_\_ Model#: \_\_\_\_\_ Year: \_\_\_\_\_ Color: \_\_\_\_\_

Vin#: \_\_\_\_\_ Battery Serial #: \_\_\_\_\_

### DEALER INFORMATION

Authorized Dealer Name: \_\_\_\_\_

Dealer Phone#: \_\_\_\_\_

Dealer Address: \_\_\_\_\_

City: \_\_\_\_\_ State: \_\_\_\_\_ Zip: \_\_\_\_\_

Dealer Sales Rep: \_\_\_\_\_

The warranty period set out in these terms and conditions commences from the date of the sale of the product by a retailer to the consumer. To claim under this warranty, the date of purchase of the Product must be evidenced by an invoice/receipt. Failure to register the Product and/or failure to submit a valid purchase invoice/receipt will void the warranty.

To activate the warranty on your Evolution Electric Vehicle, please:

Send this form to Evolution Electric Vehicle, at the following address or email a scanned, signed copy to the  
Warranty Department.

2620 Palisades Drive, Corona CA 92882 USA, Tel: 951-268-6689

Email: [aftersales01@del-ev.com](mailto:aftersales01@del-ev.com)

**WARRANTY MUST BE ACTIVATED WITHIN  
(2) TWO WEEKS FOLLOWING THE DATE OF PURCHASE OF GOLF CART**

Limited warranty coverage will be valid for two (2) years following the date of purchase. For more detailed information on your warranty, please request a Warranty Policy from your dealer.

I understand the above instructions, and I agree that all information provided is correct to the best of my knowledge.

Signature: \_\_\_\_\_

Date: \_\_\_\_\_





EVOLUTION ELECTRIC VEHICLES INC

California Headquarters: 15865 Quality Way, Chino, CA 91708 USA

Tel: 909-590-4922 Email: [warrantyregistration@evolutionelectricvehicle.com](mailto:warrantyregistration@evolutionelectricvehicle.com)  
[evolutionelectricvehicle.com](http://evolutionelectricvehicle.com)